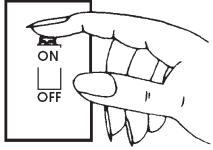


INSTALLATION INSTRUCTIONS

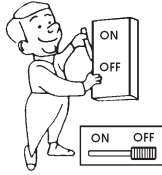
READ IMPORTANT SAFETY TIPS BEFORE PROCEEDING WITH INSTALLATION

111 Series

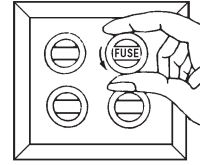
SAFETY TIPS



Turn fixture off! (Place wall switch in off position, if fixture has built-in switch or chain pull, switch or pull chain so fixture is off.)

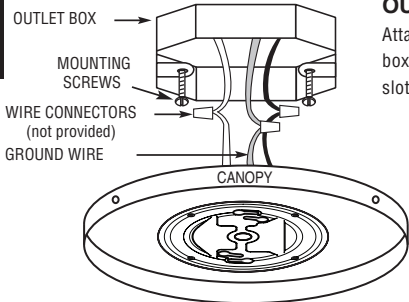


Next - go to the main fuse box. If your fuse box has an ON/OFF switch, simply place main power switch in OFF position.



Screw-in type fuses - unscrew the fuse or fuses that control the power to the fixture or room you are working in.

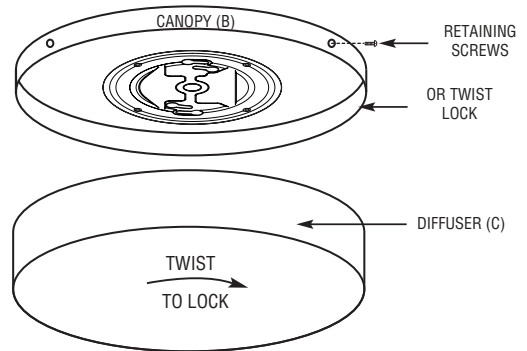
1



OUTLET BOX MOUNT

Attach fixture to outlet box through keyhole slots.

2



Attach diffuser and secure in place with diffuser retaining screws.

FOR MODELS WITH TWIST LOCK DIFFUSER, SEE ABOVE
Attach diffuser (C) by aligning slots with pegs on canopy (B) and pushing the diffuser upward and rotating clockwise.

NOTE: IN ORDER FOR THE LIGHTING FIXTURE TO OPERATE PROPERLY, THE BUILDING'S ELECTRICAL SYSTEM MUST BE GROUNDED. IF YOU ARE UNCLEAR AS TO HOW TO PROCEED, CONSULT A QUALIFIED ELECTRICIAN.

To clean, wipe fixture with a soft cloth. Clean glass with a mild soap. Do not use abrasive materials such as scouring pads or powders, steel wool or abrasive paper.

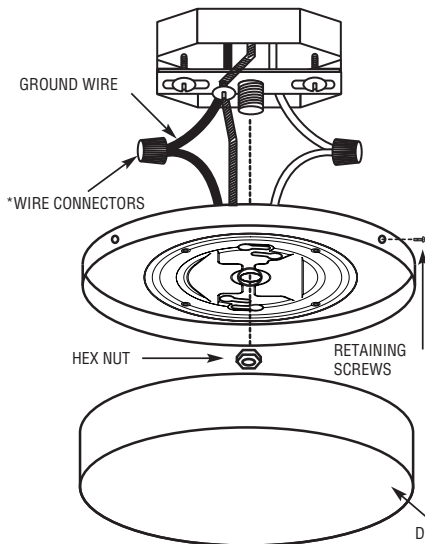
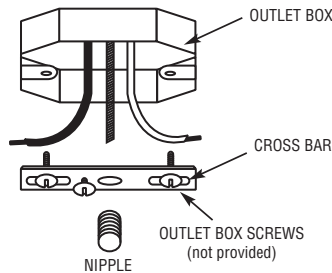


CLEAN ONLY WITH MILD SOAP AND WATER. AVOID SPRAYING WITH CLEANSERS, INSECTICIDES, AND PESTICIDES THAT ARE PETROLEUM BASED HYDROCARBON PRODUCTS. THESE WILL DEGRADE LUMINAIRE.

CAUTION: Do not turn on without diffuser installed. Do not touch LEDs or circuit board. LED optics could be damaged. No lamp replacement required! Integral LED light engine supplied. Do not remove protective cover from LED light engine.

CENTER MOUNT

ATTACH CROSS BAR to outlet box with outlet box screws (not provided). THREAD NIPPLE into cross bar. Adjust nipple to proper height for mounting fixture.



CONNECT THE WIRES.
NOTE: Attach black fixture wire to black supply wire, white fixture wire to white supply wire. Do not mix them up. Use wire connectors (not provided). Connect ground wires as shown above. NEVER CONNECT GROUND WIRE TO BLACK OR WHITE POWER SUPPLY WIRES. POSITION THE FIXTURE. BASE over the nipple and secure into place with the HEX NUT.