

Features

- White Powder-Coated Aluminum Pan (LED Models)
- Composite Frame
- Frosted Reduced Glare Polycarbonate Lens
- Mounting Hardware Included
- Ceiling Mount Only
- Minimum Starting Temp -20°F
- UL Listed for Damp Locations
- 5 Year Warranty LED
- 3 Year Warranty E26 Medium Base
- Dimmable (Integrated LED 120V Models Only)
- Energy Star Listed (All Integrated LED Models)
- Made in the USA Compliant

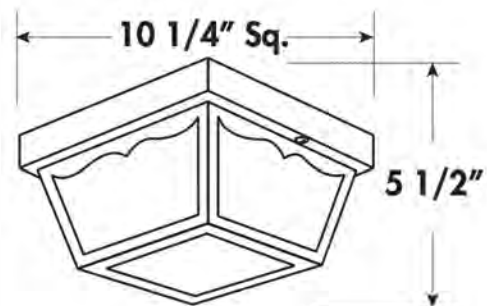
Cambridge



Wattage

- **Medium E26 Sockets Only (Bulbs Sold Separately)**
 - E26 Medium Base (2x 60W Max Incandescent)
 - LED A19 E26 Compatible (2 x 9W Max LED)]
- **Integrated LED 120V System (80CRI)**
 - 13W Integrated LED
 - 3000K - 1,140lm
 - 4000K - 1,280lm
 - 14W Integrated LED
 - 3000K - 1,430lm
 - 4000K - 1,500lm
 - 22W Integrated LED
 - 3000K - 1,950lm
 - 4000K - 2,130lm
- **Multi-Volt LED 120-277 (74CRI)**
 - 22W Integrated LED - 4000K - 1,824lm

Dimensions



Warranty

- **5 Year** LED
- **3 Year** E26 Medium Base & LMV

Options

- White Housing
- Photocell
- Motion Sensor

ORDERING GUIDE

Family	Lens Color	Base Color	Wattage	CCT	Options
160	6 - Frost	5 - Black	2E26 - 2 x Medium Socket		PE - Photocell (120V) OS - Motion Sensor
		Custom Color 1 - White**	13LED-120 - 13 Watt 14LED-120 - 14 Watt 22LED-120 - 22Watt	30K - 3000K 40K - 4000K	
			22LMV- 22Watt	40K -4000K	OS - Motion Sensor