

DATE: _____ TYPE: _____
 NAME: _____
 PROJECT: _____

Clemson 177 Series

LED Closet Ceiling Mount

Specifications:

Description:

Incon's Clemson 177 comes standard with occupancy sensor with indicator light. Light turns on when motion is detected and turns off after 3 minutes of no movement. This fixture can be used to comply with 2016 Title 24 Part 6 High Efficacy LED Light Source Requirements.

Features:

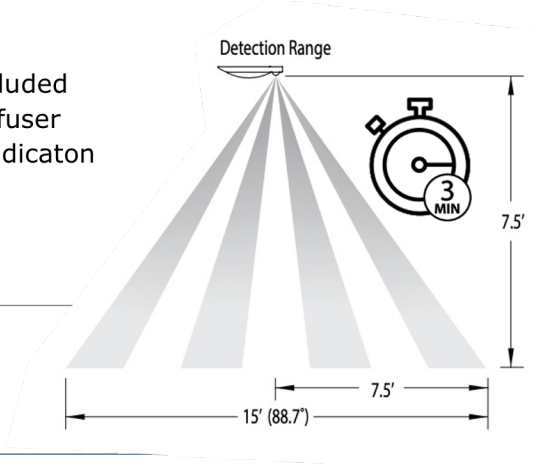
- ° White Housing
- ° Mounting Hardware Included
- ° Frost Polycarbonate Diffuser
- ° Occupancy Sensor w/Indicator
- ° 1040lm
- ° 3000K CCT 90CRI

Application:

- ° Indoor Use Only

Energy Consumption:

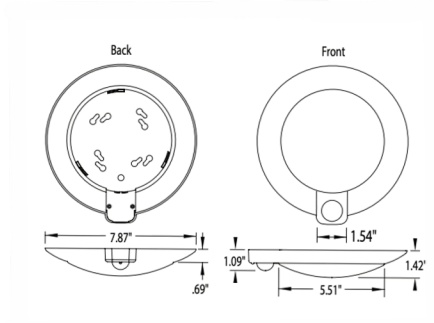
- ° 120V, 50/60 Hz
- ° AC Driver-On-Board Array
- ° Estimated 50,000 Hrs L70
- ° Low Flicker (LT models)
- ° Surge Suppression
- ° High Efficacy LED Light Source
- ° Energy Star



Images:



Dimensions:



Warranty:

- ° 5 Year Full Unit Warranty

Compliances:



Catalog number:

Family	Lens Color	Base Color	Wattage	CCT
177	6 - Frost	1 - White	12 - 12 Watt	30K - 3000K

* Specifications subject to change without notice.