

Features

- White Powder-Coated Aluminum Pan
- Mounting Hardware Included
- LED Frosted Prismatic Anti-Glare or Clear Prismatic Diffuser
- Wall or Ceiling Mount
- Minimum Starting Temp -20°F
- UL Listed for Wet Locations
- 5 Year Warranty
- Dimmable (Integrated LED Models)
- Energy Star Listed (Integrated LED Models)
- Made in the USA Compliant



Applications

- Suitable for Wet Locations
- Ceiling or Wall Mount

Wattage/Lumens

Integrated LED 120V System

- **13W Integrated LED**
 - 3000K - 1,140lm
 - 4000K - 1,280lm
- **14W Integrated LED**
 - 3000K - 1,430lm
 - 4000K - 1,500lm
- **22W Integrated LED**
 - 3000K - 1,950lm
 - 4000K - 2,130lm
- **Medium E26 Sockets Only** (*Bulbs Sold Separate*)
 - 2 x E26 Medium Base (2 x 40W Max Incandescent)
 - LED A19 E26 Compatible (2 x 11W Max LED)

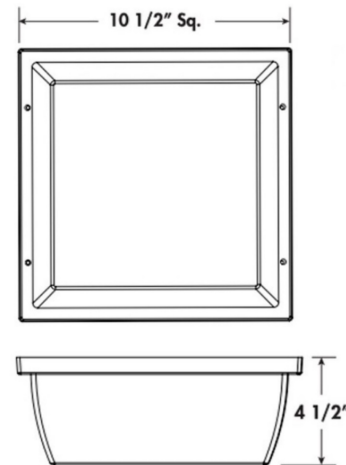
Warranty

- LED - 5 Year
- E26 - 3 Year

Options

- OS** - Occupancy Sensor
- CP** - Clear Prismatic Polycarbonate Lens (min order req.)

Dimensions



ORDERING GUIDE

Example: 18161-13LED-120-40K

Family	Lens Color	Base Color	Wattage	CCT	Options
181	6 - Frost 9 - Clear Prismatic	1 - White	2E26 - 2 x Medium	—	
			13LED -120 - 13 Watt 14LED -120 - 14 Watt 22LED -120 - 22 Watt	30K - 3000K 40K - 4000K	OS - Occupancy Sensor