

LED



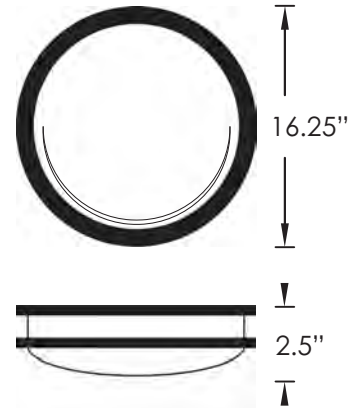
186 SERIES



18612 | BRUSHED NICKEL
WITH WHITE LENS

STANDARD SPECIFICATIONS

Housing	White Enamel Steel Pan
Trim	White Enamel Steel Pan
Lens	Translucent White Acrylic
Certification	Damp Location
Mounting	Ceiling CFK U™ Mount
Match	Indoor Sconces 25& Series



REPLACEMENT PARTS

LENS-1861 | White Translucent Acrylic Lens

PRODUCT FAMILY	LENS TYPE	FINISH	MODEL	FEATURES & OPTIONS*
186	1	2	3xLEDA19	120V, 50/60Hz Electronic 120V Triac Dimmable 27 Watts (3X9), 2400 Lumens, 80CRI Options: 30K
	1 - White	2 - Brushed Nickel 	3E26	Three (3) Medium E26 sockets 60W Max each

OPTION LEGEND

30K	3000 Kelvin Warm White Light Temperature
-----	--

* May not be available in all wattages or combinations, please call factory. † Additional lead time may apply.