

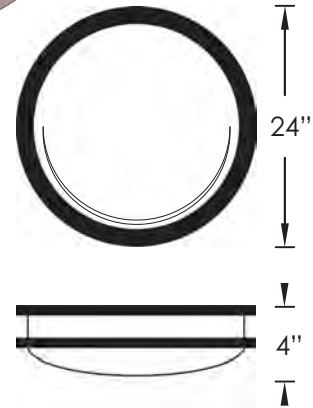
LED



187 SERIES



18712 | BRUSHED NICKEL
WITH WHITE LENS





STANDARD SPECIFICATIONS

Housing	White Enamel Steel Pan
Trim	White Enamel Steel Pan
Lens	Translucent White Acrylic
Certification	Damp Location
Mounting	Ceiling CFK U™ Mount
Match	Indoor Scones 25& Series

REPLACEMENT PARTS

LENS-1871 | White Translucent Acrylic Lens

PRODUCT FAMILY	LENS TYPE	FINISH	MODEL	OPTIONS
187	1	2	18712	30K
	1 - White	2 - Brushed Nickel 	4xLEDA19 120V, 50/60Hz Electronic 120V Triac Dimmable 36 Watts (4X9), 3200 Lumens, 80CRI	Options: 30K
			4E26	Four (4) Medium E26 sockets 60W Max each

OPTION LEGEND	
30K	3000 Kelvin Warm White Light Temperature