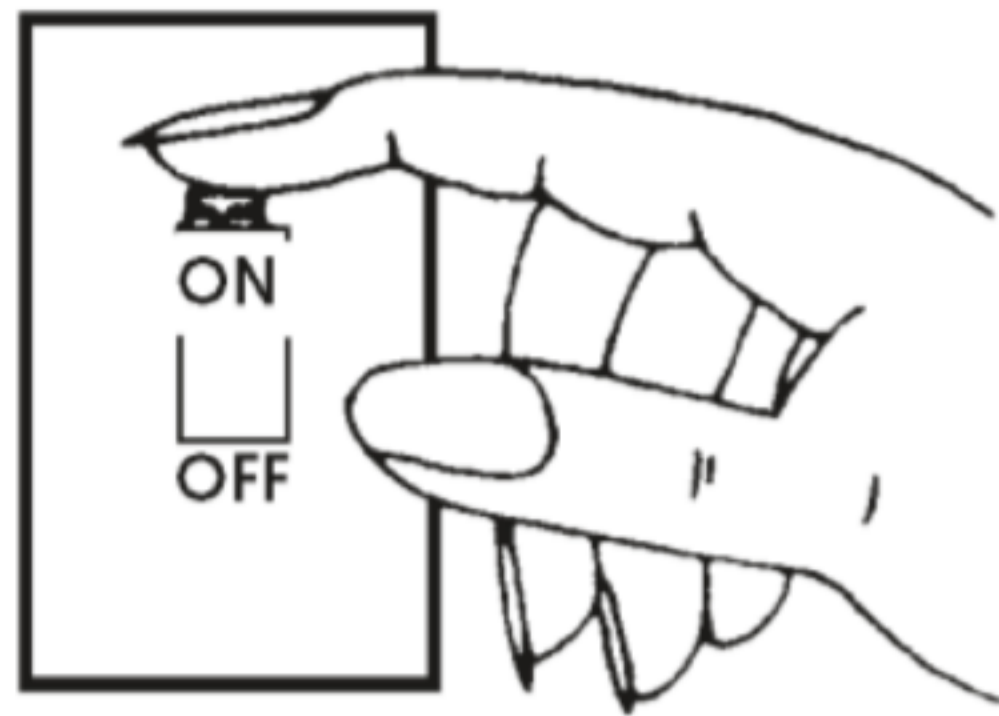


IMPORTANT READ FIRST INSTALLATION INSTRUCTIONS

READ IMPORTANT SAFETY TIPS BEFORE PROCEEDING WITH INSTALLATION

CONSULT A QUALIFIED ELECTRICIAN TO ENSURE CORRECT BRANCH CIRCUIT

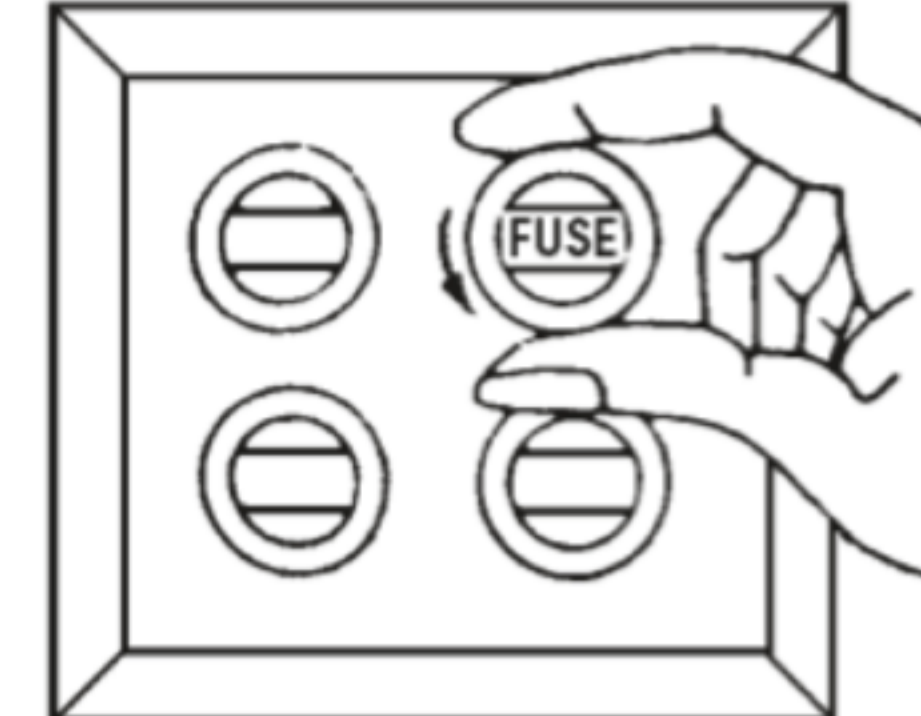
SAFETY TIPS



Turn fixture off! (Place wall switch in off position, if fixture has built-in switch or chain pull, switch or pull chain so fixture is off.)

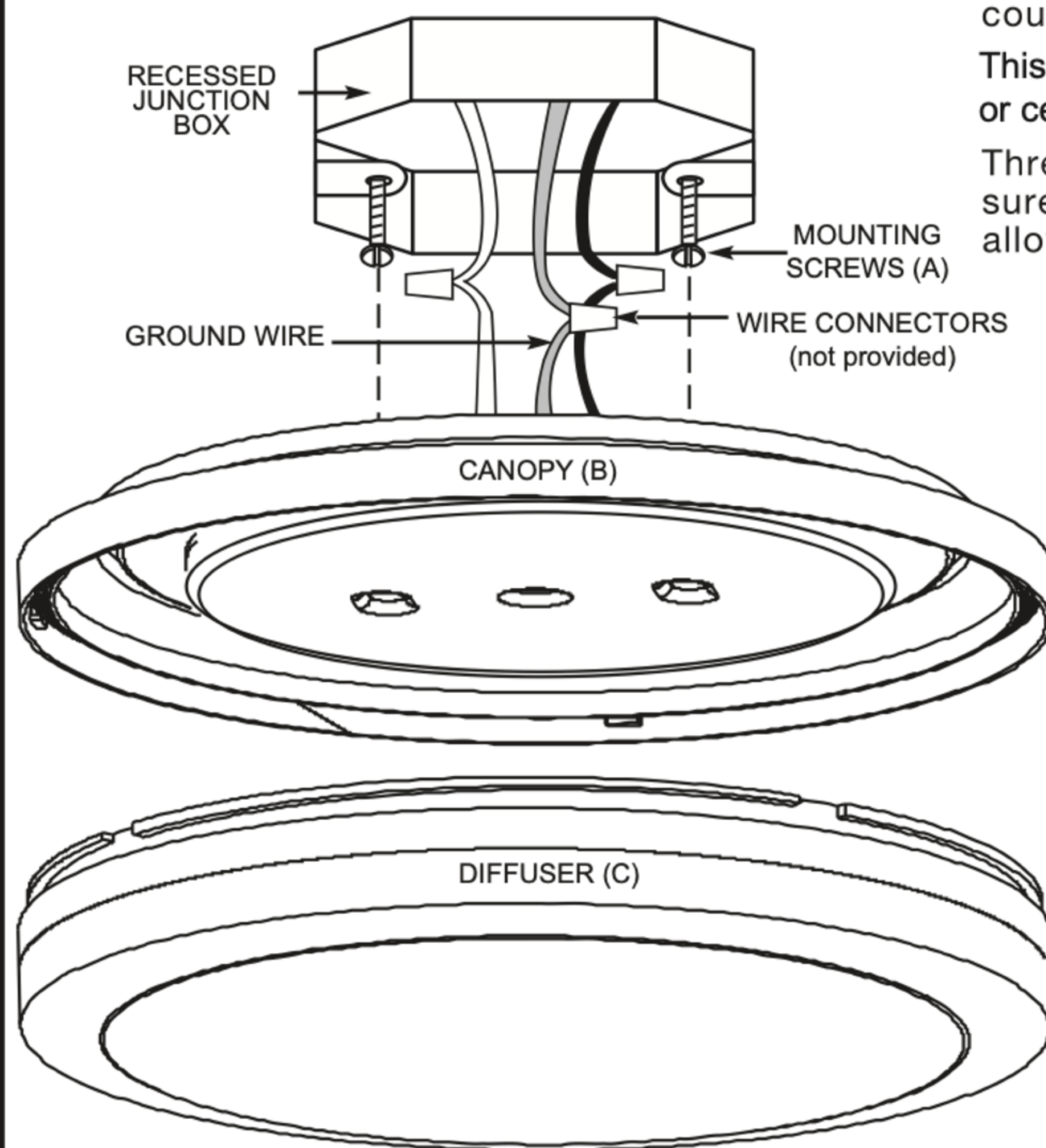


Next - go to the main fuse box. If your fuse box has an ON/OFF switch, simply place main power switch in OFF position.



Screw-in type fuses - unscrew the fuse or fuses that control the power to the fixture or room you are working in.

1



Remove diffuser (C) from canopy by rotating counter clockwise.

This fixture is designed be mounted to either a wall or ceiling U/L recognized junction box.

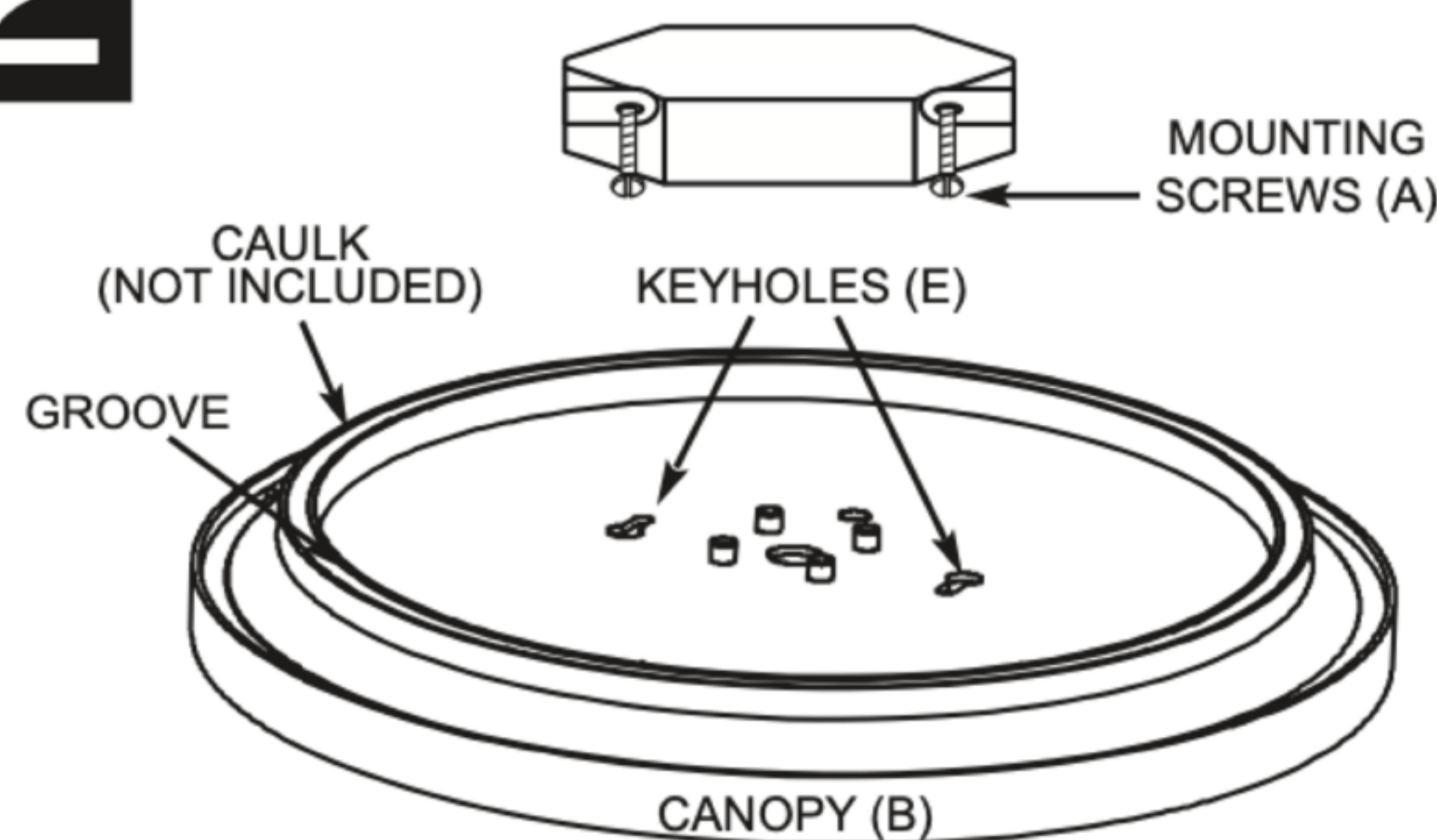
Thread mounting screws (A) into outlet box. Be sure to leave enough of the screw extended to allow the attachment of the canopy (B).

A. Take black fixture wire(s) and place evenly against the black wire from the outlet box. Do Not twist wires together before using wire connectors. Fit a wire connector over the wires and thread the connector clockwise until you feel a firm resistance.

B. Take white fixture wire(s) and place evenly against the white wire from the outlet box. Do Not twist wires together before using wire connectors. Fit a wire connector over the wires and thread the connector clockwise until you feel a firm resistance.

C. Take green fixture wire and place evenly against the ground wire from the outlet box. Do Not twist wires together before using wire connectors. Fit a wire connector over the wires and thread the connector clockwise until you feel a firm resistance.

2



IMPORTANT: OUTLET BOX MUST BE SEALED TO THE WALL. AFTER MOUNTING THE FIXTURE, CAULK MUST BE APPLIED AROUND THE GASKET TO ENSURE NO VOIDS BETWEEN THE SURFACE AND THE FIXTURE. FAILURE TO COMPLY MAY VOID THE WARRANTY.

Align keyholes (E) to mounting screws (A) and push canopy up, rotate clockwise and tighten mounting screws to secure canopy to mounting surface.

Install diffuser (C) to canopy (B) by aligning notches in diffuser flange to tabs on the inside of the canopy. Rotate clockwise until tight.

TO ENSURE WATER AND INSECT RESISTANT SEAL, ALL ENTRY POINTS MUST BE CAULKED.



CLEAN ONLY WITH MILD SOAP AND WATER. AVOID SPRAYING WITH CLEANSERS, INSECTICIDES, AND PESTICIDES THAT ARE PETROLEUM BASED HYDROCARBON PRODUCTS. THESE WILL DEGRADE LUMINAIRE.

CAUTION: Do not turn on without diffuser installed. Do not touch LEDs or circuit board. LED optics could be damaged. No lamp replacement required! Integral LED light engine supplied. Do not remove protective cover from LED light engine.