

Applications:

Suitable for greenbelts, walking pathways and pedestrian plazas, as well as any other building perimeters requiring a proper light source.

Features

- Show off urban style by the simple shape and the solid material.
- Efficacy higher than 120 lm/W with zero uplight while consumes 130W.
- Increase energy savings with optional motion sensor and photocontrol.
- Install on poles which top diameter limited to 2-3/8" or 3".
- Suitable for installation heights of 8-20 feet.
- 1-10V dimming and projected over 50,000 hrs life span.
- Operating temperature is -40°C to 45°C(-40°F to 113°F).
- UL cUL wet location and DLC premium qualified.



ADJUSTABLE LUMEN OUTPUT TABLE

SWITCH SETTING	SETTING WATTS	VOLTAGE	CRI	LUMENS 3000K	LPW 3000K	LUMENS 4000K	LPW 4000K	LUMENS 5000K	LPW 5000K
LV1	130W	120-277VAC	70	16000lm	123 lm/W	17200lm	132 lm/W	16300lm	125 lm/W
LV2	87W	120-277VAC	70	11600lm	133 lm/W	12000lm	138 lm/W	11800lm	136 lm/W
LV3	70W	120-277VAC	70	9700lm	139 lm/W	10000lm	143 lm/W	9900lm	141 lm/W
LV4	45W	120-277VAC	70	6500lm	144 lm/W	6700lm	149 lm/W	6600lm	147 lm/W

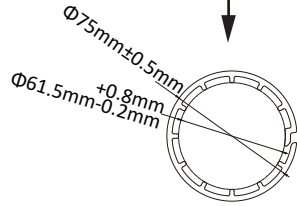
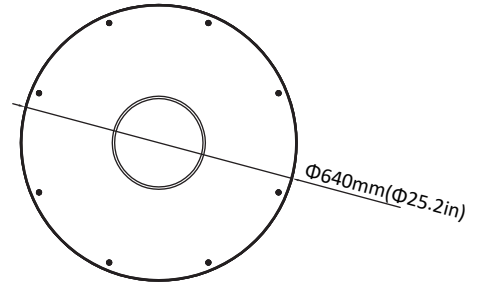
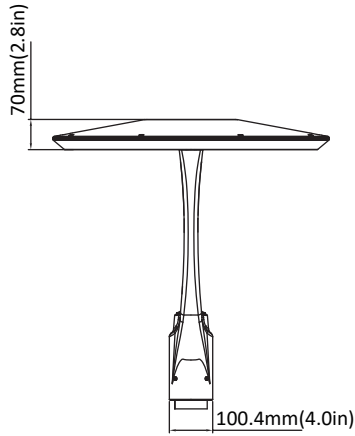
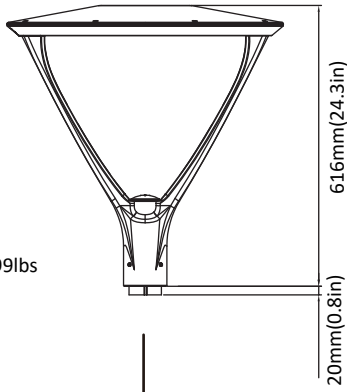
ELECTRICAL DATA

Number Of Drivers	Driver Current (mA)	Nominal Power (W)	INPUT VOLTAGE (V)	CURRENT (Amps)
1	1120	45	120	0.38
		45	208	0.22
		45	240	0.19
		45	277	0.16
1	1750	70	120	0.58
		70	208	0.34
		70	240	0.29
		70	277	0.25
2	2240	87	120	0.73
		87	208	0.42
		87	240	0.36
		87	277	0.31
2	3500	130	120	1.08
		130	208	0.63
		130	240	0.54
		130	277	0.47

DIMENSION

unit: inch/mm

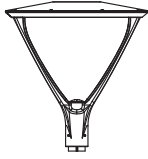
Net weight:
130W: 25.699lbs



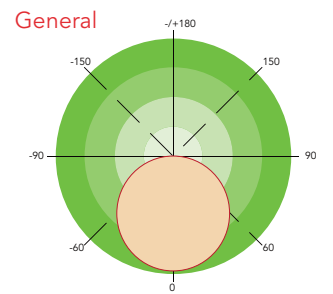
Pole Sleeve



EPA OF POST TOP

Item	
EPA	0.9696

PHOTOMETRICS



ORDERING GUIDE

Example: 204-01-130W-27V-3CCT-D

Fixture Type	Power Consumption	Voltage	CCT	Finish	Photocell (Option)	Sensor (Option)	Photometry	Internal Code
<input type="checkbox"/>	<input type="checkbox"/>	<input type="checkbox"/>	<input type="checkbox"/>	<input type="checkbox"/>	<input type="checkbox"/>	<input type="checkbox"/>	<input type="checkbox"/>	<input type="checkbox"/>
204-01 Post Top Light	130W	27V 120-277V	3CCT Adjustable color	D Dark Bronze B Black W White	P0 120-277V Photocell Blank Without Photocell	M With Motion Sensor Blank Without Sensor	Blank General Photometry	Blank Alphanumeric