

## Features

- Choose Anti-Glare LED™ Frost or Clear Prismatic Lens
- Non-Corrosive White Aluminum Pan
- UV Resistant Acrylic Lens Cover
- UL Listed for Wet Locations
- Available in Integrated LED or E26 Medium Socket
- LED Dimmable (Approved Dimmers)
- 120V 50/60Hz
- Buy American Compliant
- Warranty (5-Year LED) (3-Year Medium Base)
- Energy Star (LED Version)
- LED Models 50,000hr L70

## Applications

- Wall or Ceiling Mount
- UL Listed for Wet Locations

## Wattage/Lumens

- **Medium E26 Base**
  - Incandescent (40W Max) (Bulb Not Included)
  - LED A19 Ready (Bulb Not Included)
- **13W Integrated LED**
  - (3000K-1140lm)
  - (4000K-1280lm)

## Warranty

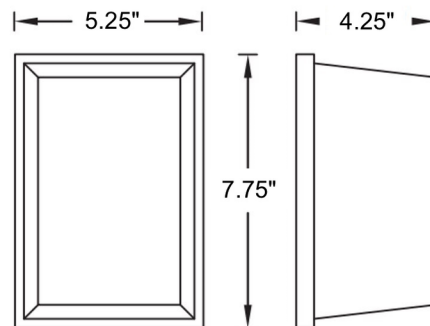
- 5-Year LED
- 3-Year Medium Base



## Options

Shown in Frost

## Dimensions




HCMT: 3-7/8"



## ORDERING GUIDE

Example: 31561-13LED-120-30K

Family	Lens Color	Base Color	Wattage	CCT	Options
315	6 - Frosted 9 - Clear Prismatic	1 - White	E26 - Medium Base	—	
	13LED-120 - 13 Watt 		30K - 3000K 40K - 4000K		