



319 SERIES



LED



31961  
FROSTED | WHITE



31963B  
FROSTED | BRONZE



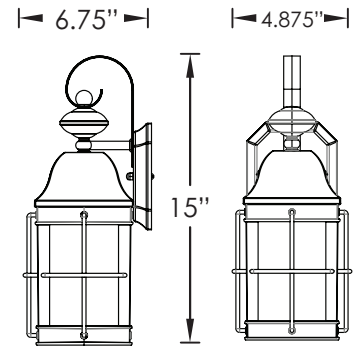
31965  
FROSTED | BLACK


STANDARD SPECIFICATIONS

Housing	Impact Resistant Polycarbonate (Specify Finish)
Lens	UV Stabilized Acrylic
Certification	Wet Location Listed
Mounting	Wall Mount Only

REPLACEMENT PARTS

LENS-3196	UV Stabilized Frosted Acrylic
-----------	-------------------------------



PRODUCT FAMILY	LENS TYPE	FINISH	MODEL	FEATURES & OPTIONS*
319	6	1 - White	10LEDGU	120V, 60Hz Electronic, Triac Dimmable to 10% 9 Watts, 800 Lumens, >81 CRI, GU24 Base Options: 27K, 30K, 40K
	6 - Frosted	3B - Bronze	12LEDGU	120V, 60Hz Electronic, Triac Dimmable to 10% 11 Watts, 1100 Lumens, >81 CRI, GU24 Base Options: 27K, 30K, 40K
		5 - Black	13LED-120	120V, 50/60Hz Electronic, Triac Dimmable to 5% 13 Watts, 900 Lumens, >80 CRI, Energy Star Listed Options: 30K, 40K
			17LEDGU	120V, 60Hz Electronic, Triac Dimmable to 10% 15 Watts, 1600 Lumens, >81 CRI, GU24 Base Options: 27K, 30K, 40K

**OPTION LEGEND**

27K	2700 Kelvin Warm White Light Temperature
30K	3000 Kelvin Warm White Light Temperature
40K	4000 Kelvin Cool White Light Temperature

\* May not be available in all wattages or combinations, please call factory.