

INCON LIGHTING

BUY AMERICAN COMPLIANT

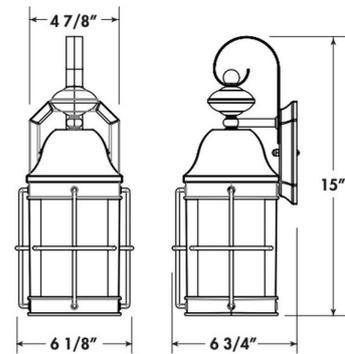
COMPOSITE Ainsley Series 319

DESCRIPTION

Illuminate your outdoor space with style and sophistication with the Ainsley 319 series. These lights are constructed with UV-resistant composite materials, ensuring a long-lasting look that won't chip or rust. Choose from a black, bronze, or white finish to suit your outdoor decor. The anti-glare LED Frost Acrylic lens creates a subtle and warm glow that is perfect for residential or multi-family dwellings.

FEATURES

- Non-corrosive Composite Housing is UV Resistant for Outdoor Installation
- Anti-rust Finish for Long Life
- Anti-Glare LED™ Frost or Clear Acrylic Lens
- UL Listed for Wet Locations
- Available in Integrated LED or E26 Medium Socket
- 120V 50/60Hz
- Buy American Act Compliant
- Warranty (5-Year LED) (3-Year Medium Base)
- LED Models 50,000hr L₇₀



WATTAGE/LUMENS

E26 Medium Base Systems

- E26 Medium Base (60W Max)
- LED A19 Ready (Bulb Not Included)

120V Integrated LED Systems

- 13W Integrated LED Systems (3000K - 1140lm) (4000K - 1280lm)

ORDERING GUIDE (Sample: 31995-13LED-120-30K)

Family	Lens Color	BASE COLOR	Wattage	CCT	Options
319	9 - Clear	5 - Black	E26 - Medium Base	-	PE - Photocell (120V) S - Motion/Photocell Combo
	Special Order**	1 - White	13LED-120 - 13 Watt	30K - 3000K	
	6 - Frost	3B - Bronze		40K - 4000K	

Specifications subject to change without notice

FEATURES



sales@inconlighting.com Ph. 407-323-5630
Rev 06/24 www.inconlighting.com/319

OPTIONS



Motion & Photocell



Wall Mount Only



Photocell 120V Only

PROJECT: _____

SCHEDULE: _____ DATE: _____

PREPARED BY: _____

NOTES: _____