

COMPOSITE

Beacon Series 320

DESCRIPTION

Incon Lighting's 320 series adds a contemporary bulkhead look to any outdoor space. This light fixture can be used to comply with 2016 Title 24 Part 6 High Efficacy LED Light Source Requirements. Incon's 320 series is designed for wall or ceiling applications and mounting hardware is included. Options include 120V photocell.

FEATURES

- White Powder-Coated Aluminum Pan (LED Models)
- Composite Polycarbonate Pan (E26 Medium Base Models)
- Frosted Reduced Glare Polycarbonate Lens
- Composite Grill Frame
- Mounting Hardware Included
- Wall or Ceiling Mount
- Minimum Starting Temp -20°F
- UL Listed for Wet Locations
- Warranty (5-Year LED) (3-Year Medium Base)
- Triac Dimmable (Integrated LED 120V Models Only)
- Buy American Act Compliant

WATTAGE/LUMENS

E26 Medium Base

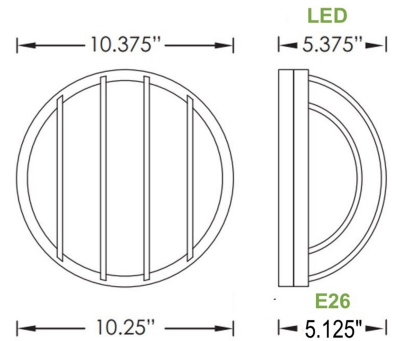
- E26 Medium Base (75W Incandescent Max)

120V Integrated LED Systems

- 13W Integrated LED
 - (3000K - 1140lm)
 - (4000K - 1280lm)
- 14W Integrated LED
 - (3000K - 1430lm)
 - (4000K - 1500lm)
- 22W Integrated LED
 - (3000K - 1950lm)
 - (4000K - 2130lm)

120/277V Integrated LED Systems

- 22W Integrated LED
 - (3000K - 1704lm)
 - (4000K - 1824lm)



ORDERING GUIDE (Sample: 32061-13LED-120-30K)

Family	Lens Color	BASE COLOR	Wattage	CCT	Options
320	6 - Frost	5 - Black	E26 - Medium Base	-	S - Motion/Photocell Sensor
		1 - White	13LED-120 - 13 Watt	30K - 3000K	PE - Photocell (120V) S - Motion/Photocell Sensor
			14LED-120 - 14 Watt	40K - 4000K	
			23LED-120 - 22 Watt		
		22LMV - 22ø	÷	S - Motion/Photocell Sensor	

Specifications subject to change without notice

FEATURES



sales@inconlighting.com Ph. 407-323-5630
Rev 07/24 www.inconlighting.com/320

OPTIONS



PROJECT: _____

SCHEDULE: _____ DATE: _____

PREPARED BY: _____

NOTES: _____