

# INCON LIGHTING

BUY AMERICAN COMPLIANT

COMPOSITE

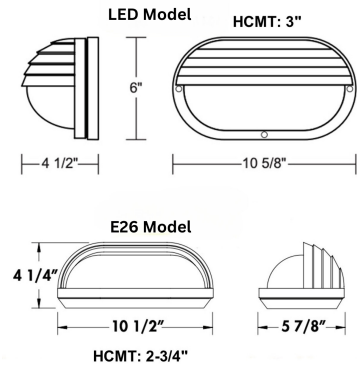
## Beacon Series 332

### DESCRIPTION

Incon Lighting's 332 series adds a contemporary oval bulkhead look to any outdoor space. Incon's 332 series is designed for wall applications and mounting hardware is included. Options include 120V photocell

### FEATURES

- Black or White Eyelid Frame
- Corrosion Resistant Aluminum Back Pan (LED Models)
- Composite Base (E26 Model)
- Impact Resistant Polycarbonate Diffuser
- Wall Mount Only
- Outdoor Use Only
- Buy American Act Compliant
- Triac Dimmable (13LED-120)



### WATTAGE/LUMENS

#### E26 Medium Base

- E26 Medium Base (60W Incandescent Max)

#### 120/277V Integrated LED Systems

- 11W Integrated LED
  - (4000K - 912lm)

#### 120V Integrated LED Systems

- 13W Integrated LED
  - (3000K - 1140lm)
  - (4000K - 1280lm)

### ORDERING GUIDE (Sample: 33261-13LED-120-30K)

Family	Lens Color	BASE COLOR	Wattage	CCT	Options
332	6 - Frost	1 - White	E26 - Medium Base	-	S - Motion/Photocell Sensor
		5 - Black	13LED-120 - 13 Watt	30K - 3000K 40K - 4000K	PE - Photocell S - Motion/Photocell Sensor
			11LMV - 11W (120/277V)	40K - 4000K	S - Motion/Photocell Sensor

Specifications subject to change without notice

### FEATURES



sales@inconlighting.com Ph. 407-323-5630  
Rev 07/24 www.inconlighting.com/332

### OPTIONS



PROJECT:

SCHEDULE:

DATE:

PREPARED BY:

NOTES: