

# INCON LIGHTING

BUY AMERICAN COMPLIANT

COMPOSITE

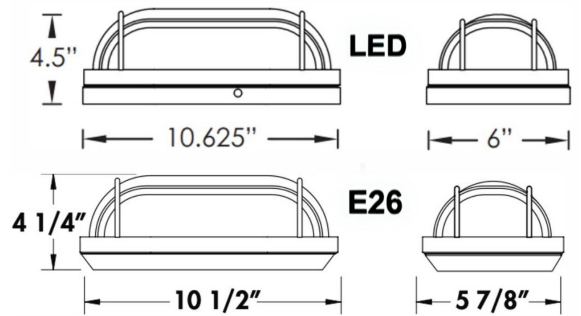
**Beacon Series 335**

## DESCRIPTION

Incon Lighting's 335 series adds a contemporary oval bulkhead look to any outdoor space. Incon's 335 series is designed for wall applications and mounting hardware is included. Options include 120V photocell

## FEATURES

- Black or White Cross Cage Frame
- Corrosion Resistant Aluminum Back Pan (LED Models)
- Composite Base (E26 Model)
- Impact Resistant Polycarbonate Diffuser
- Wall Mount Only
- Outdoor Use Only
- Buy American Act Compliant
- Triac Dimmable (13LED-120)



## WATTAGE/LUMENS

### E26 Medium Base

- E26 Medium Base (60W Incandescent Max)

### 120V Integrated LED Systems

- 13W Integrated LED
  - (3000K - 1140lm)
  - (4000K - 1280lm)

### 120/277V Integrated LED Systems

- 11W Integrated LED
  - (4000K - 912lm)

## ORDERING GUIDE (Sample: 33561-13LED-120-30K)

Family	Lens Color	BASE COLOR	Wattage	CCT	Options
335	6 - Frost	1 - White	E26 - Medium Base	-	S - Motion/Photocell Sensor
		5 - Black	13LED-120 - 13 Watt	30K - 3000K 40K - 4000K	PE - Photocell S - Motion/Photocell Sensor
			11LMV - 11W (120/277V)	40K - 4000K	S - Motion/Photocell Sensor

Specifications subject to change without notice

## FEATURES



sales@inconlighting.com Ph. 407-323-5630  
Rev 07/24 www.inconlighting.com/335

## OPTIONS



Motion & Photocell



Wall Mount Only



Photocell 120V Only