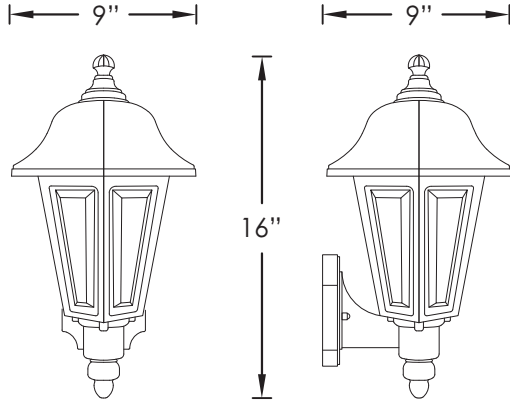


LED



337 SERIES



33791
CLEAR | WHITE



33795
CLEAR | BLACK

STANDARD SPECIFICATIONS

Housing	Impact Resistant Polycarbonate (Specify Finish)
Lens	UV Stabilized Acrylic (Specify Type)
Certification	Wet Location Listed
Mounting	Wall Mount Only
Match	Post Mount Lighting 850 Series

REPLACEMENT PARTS

LENS-3379 | (6) UV Stabilized Clear Acrylic Panels

PRODUCT FAMILY

337



LENS TYPE

9 - Clear Textured

FINISH

1 - White

5 - Black

MODEL

13LED-120

E26

FEATURES & OPTIONS*

120V, 50/60Hz Electronic, 120V Dimmable
13 Watts, 900 Lumens, >80CRI, Energy Star Listed
Options: 30K, 40K, PE

Maximum 60 Watt
Options: PE

OPTION LEGEND

30K	3000 Kelvin Medium White Light Temperature
40K	4000 Kelvin Cool White Light Temperature
PE	Photocell (120 Volt Only)