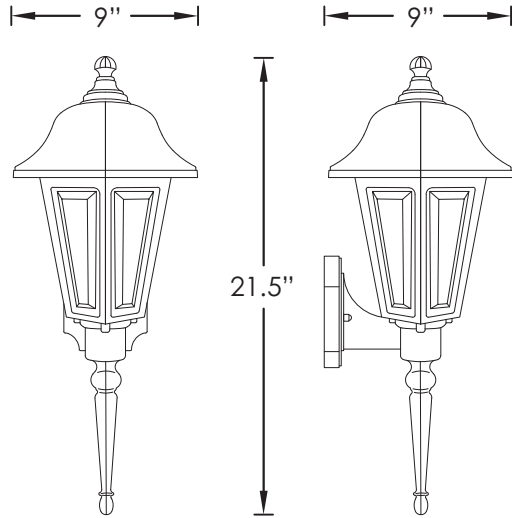




338 SERIES



LED



33891
CLEAR | WHITE



33895
CLEAR | BLACK

STANDARD SPECIFICATIONS

<p>Housing</p> <p>Lens</p> <p>Certification</p> <p>Mounting</p> <p>Match</p>	<p>Impact Resistant Polycarbonate (Specify Finish)</p> <p>UV Stabilized Acrylic (Specify Type)</p> <p>Wet Location Listed</p> <p>Wall Mount Only</p> <p>Post Mount Lighting 850 Series</p>
---	--

REPLACEMENT PARTS

LENS-3389 | (6) UV Stabilized Clear Acrylic Panels

PRODUCT FAMILY	LENS TYPE	FINISH	MODEL	FEATURES & OPTIONS*
338	9 - Clear Textured	1 - White 5 - Black	13LED-120 E26	<p>120V, 50/60Hz Electronic, 120V Dimmable 13 Watts, 900 Lumens, >80CRI, Energy Star Listed Options: 30K, 40K, PE</p> <p>Maximum 60 Watt Options: PE</p>

OPTION LEGEND	
30K	3000 Kelvin Medium White Light Temperature
40K	4000 Kelvin Medium White Light Temperature
PE	Photocell (120 Volt Only)