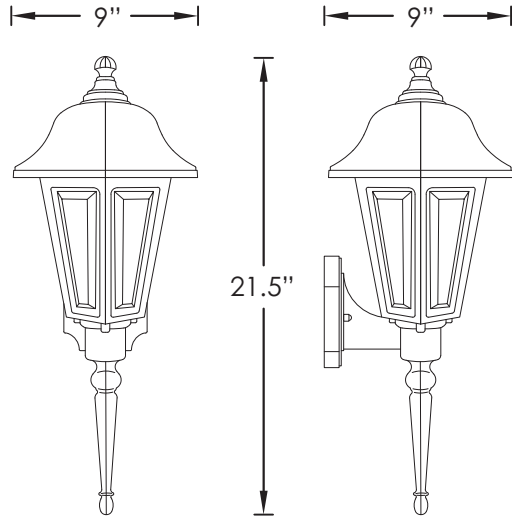




338 SERIES



FLUORESCENT



33891  
CLEAR | WHITE

33895  
CLEAR | BLACK

**STANDARD SPECIFICATIONS**

<b>Housing</b>	Impact Resistant Polycarbonate (Specify Finish)
<b>Lens</b>	UV Stabilized Acrylic (Specify Type)
<b>Ballast</b>	(ii) 120V 60Hz Electronic NPF
<b>Lamp(s)</b>	Lamp(s) Included (CFL Only)
<b>Certification</b>	Wet Location Listed
<b>Mounting</b>	Wall Mount Only
<b>Match</b>	Post Mount Lighting 850 Series

**REPLACEMENT PARTS**

**LENS-3389** | (6) UV Stabilized Clear Acrylic Panels

<p><b>PRODUCT FAMILY</b></p> <p style="text-align: center; font-size: 1.2em;">338</p>	<p><b>LENS TYPE</b></p> <p style="text-align: center;">9 - Clear Textured</p>	<p><b>FINISH</b></p> <p style="text-align: center;">1 - White</p> <div style="background-color: white; border: 1px solid black; width: 40px; height: 15px; margin: 5px auto;"></div> <p style="text-align: center;">5 - Black</p> <div style="background-color: black; width: 40px; height: 15px; margin: 5px auto;"></div>	<p><b>WATTAGE</b></p> <p><b>13GU</b> - (1)13W GU-24 (ii)    ALLK NL PE PL</p> <p><b>13QE</b> - (1)13W G24Q-2 (ii)    ALLK NL PE PL</p> <p><b>18GU</b> - (1)18W GU-24 (ii)    ALLK NL PE PL</p> <p><b>18QE</b> - (1)13W G24Q-2 (ii)    ALLK NL PE PL</p> <p><b>23GU</b> - (1)23W GU-24 (ii)    ALLK NL PE PL</p> <p><b>26GU</b> - (1)26W GU-24 (ii)    ALLK NL PE PL</p> <p><b>INC</b> - (1)Incandescent (ii)    PE 60W Max E26</p>	<p><b>OPTIONS*</b></p>
---	---	---	--	------------------------

OPTION LEGEND

<b>27K</b>	2700 Kelvin Warm White Light Temperature
<b>35K</b>	3500 Kelvin Medium White Light Temperature
<b>41K</b>	4100 Kelvin Cool White Light Temperature
<b>ALLK</b>	Wattage comes in all kelvin above, choose one.
<b>NL</b>	No Lamp
<b>PE</b>	Photocell (120 Volt Only)
<b>PL</b>	Philips Lamp

\* May not be available in all wattages or combinations, please call factory.