

LED



339 SERIES



33911
WHITE | WHITE



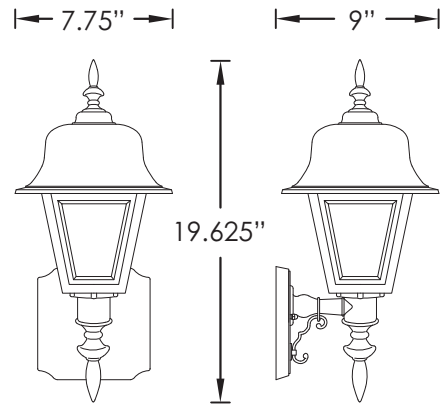
33915
WHITE | BLACK


STANDARD SPECIFICATIONS

Housing	Impact Resistant Polycarbonate (Specify Finish)
Lens	UV Stabilized Acrylic (Specify Type)
Certification	Wet Location Listed
Mounting	Wall Mount Only
Match	Post Mount Lighting 860 Series

REPLACEMENT PARTS

LENS-3391	(4) UV Stabilized White Acrylic Panels
LENS-3399	(4) UV Stabilized Clear Acrylic Panels



PRODUCT FAMILY	LENS TYPE	FINISH	MODEL	FEATURES & OPTIONS*
339				
	<ul style="list-style-type: none"> 1 - White 6 - Frosted 9 - Clear 	<ul style="list-style-type: none"> 1 - White 5 - Black 	<p>13LED-120</p> <p>E26</p>	<p>120V, 50/60Hz Electronic, 120V Dimmable 13 Watts, 900 Lumens, >80CRI, Energy Star Listed Options: 30K, 40K, PE</p> <p>Maximum 75 Watt Options: PE</p>

OPTION LEGEND

30K	3000 Kelvin Medium White Light Temperature
40K	4000 Kelvin Cool White Light Temperature
PE	Photocell (120 Volt Only)