

Features

- Black or White Finish
- Fade & Rust Resistant Composite Construction
- Open Bottom & Closed Top Design
- Dark Sky Compliant*
- Wildlife & Turtle Certified** (with approved bulbs)
- Medium E26 Socket (PAR30 75W Max)
- Wall Mount Only
- Minimum Starting Temp -20° F
- UL Listed for Wet Locations
- Buy American Act Compliant



Wattage/Lumens

E26 Medium Base Systems

- (75W Par30 Max) (Bulb Not Included)
- LED PAR30 or A19 Ready (Bulb Not Included)

LED A19 E26 80CRI 120V Dimmable

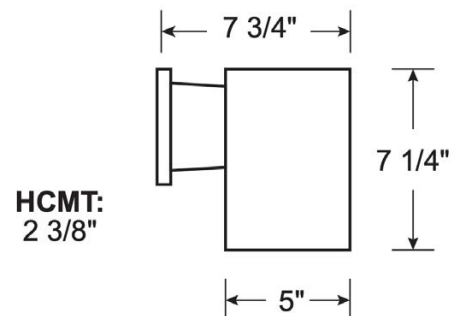
- 9W A19 LED E26 Medium Base 60W Equiv.
 - 3000K 825lm
 - 4000K 850lm
 - 5000K 875lm
- 13.5W A19 LED E26 Medium Base 75W Equiv.
 - 3000K 1175lm
 - 4000K 1200lm
 - 5000K 1225lm
- 15W A19 LED E26 Medium Base 100W Equiv.
 - 3000K 1625lm
 - 4000K 1650lm
 - 5000K 1675lm

Wildlife Certified/Turtle Friendly

- 3W A19 (65lm/600-610nm)(120-220V)
- 3W PAR30 (90lm/604nm)(120-220V)
- 11W E26 (336lm/590nm)(120-277V)



Dimensions



Warranty

- LED - 5 Year
- E26 - 3 Year

ORDERING GUIDE

EXAMPLE: 34405-9LEDE26-30K

Family	Lens Color	Base Color	Wattage	CCT	Notes
344	0 - No Lens	1 - White 5 - Black	E26 - Medium Base		
			9LEDA19 - 9W E26 14LEDA19 - 13.5W E26 15LEDA19 - 15W E26	30K - 3000K 40K - 4000K 50K - 5000K	
			3TA - 3W A19 Turtle 3TP - 3W PAR30 Turtle 12T - 11W Turtle		