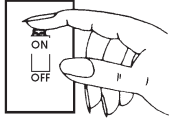


INSTALLATION INSTRUCTIONS

READ IMPORTANT SAFETY TIPS BEFORE PROCEEDING WITH INSTALLATION

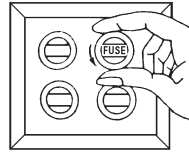
SAFETY TIPS



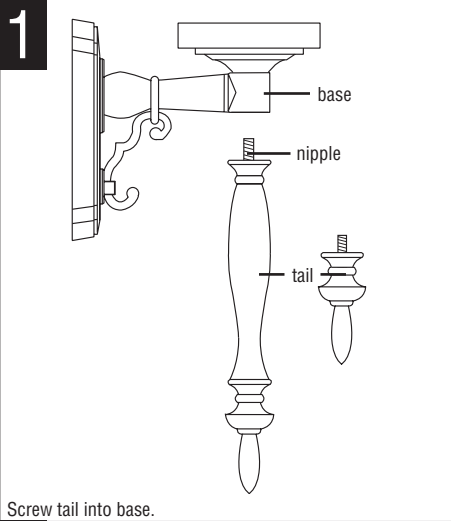
Turn fixture off! (Place wall switch in off position, if fixture has built-in switch or chain pull, switch or pull chain so fixture is off.)



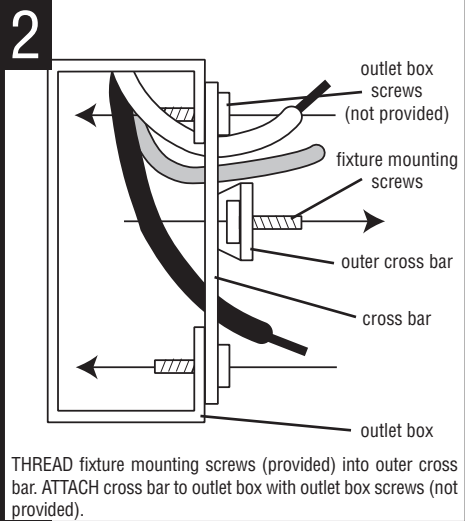
Next - go to the main fuse box. If your fuse box has an ON/OFF switch, simply place main power switch in OFF position.



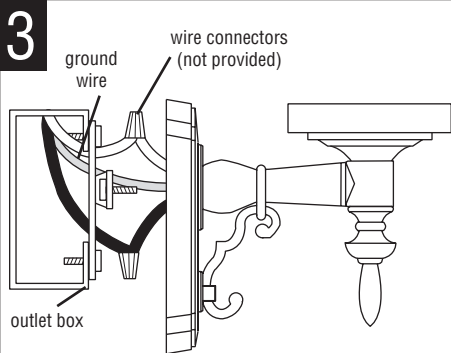
Screw-in type fuses - unscrew the fuse or fuses that control the power to the fixture or room you are working in.



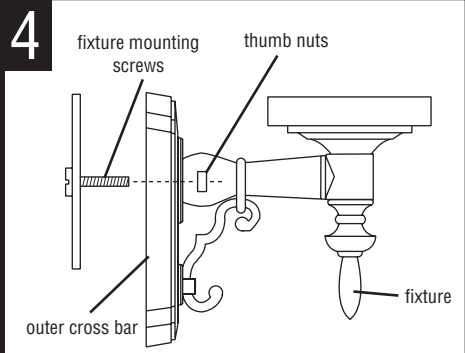
Screw tail into base.



THREAD fixture mounting screws (provided) into outer cross bar. ATTACH cross bar to outlet box with outlet box screws (not provided).



CONNECT THE WIRES. NOTE: Attach black fixture wire to black supply wire, white fixture wire to white supply wire. Do not mix them up. Use approved electrical tape or wire connectors (not provided). Connect bare fixture ground wire to ground wire from outlet box. NEVER CONNECT GROUND WIRE TO BLACK OR WHITE POWER SUPPLY WIRES.

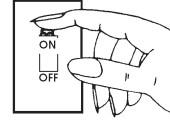


POSITION THE FIXTURE HOUSING over the fixture mounting screws and secure in place with the thumb nuts provided

INSTALLATION INSTRUCTIONS

READ IMPORTANT SAFETY TIPS BEFORE PROCEEDING WITH INSTALLATION

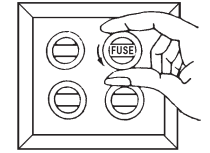
SAFETY TIPS



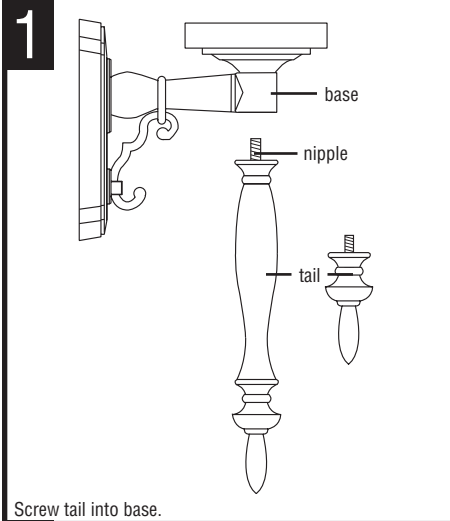
Turn fixture off! (Place wall switch in off position, if fixture has built-in switch or chain pull, switch or pull chain so fixture is off.)



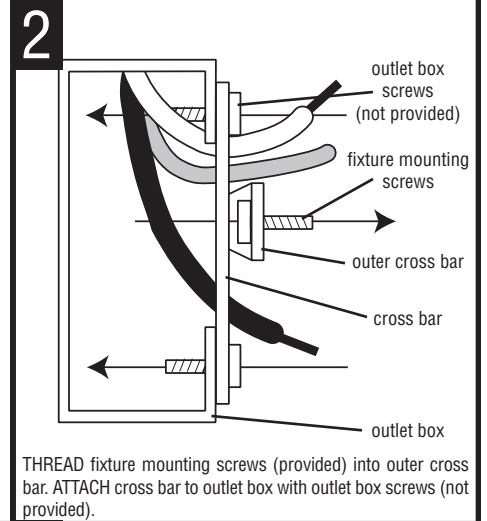
Next - go to the main fuse box. If your fuse box has an ON/OFF switch, simply place main power switch in OFF position.



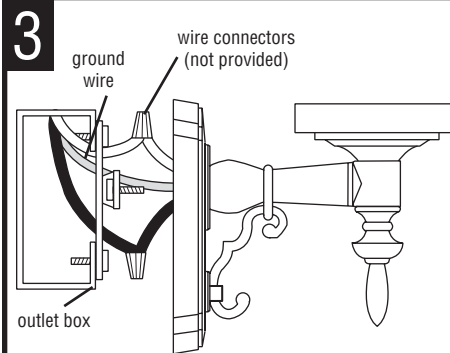
Screw-in type fuses - unscrew the fuse or fuses that control the power to the fixture or room you are working in.



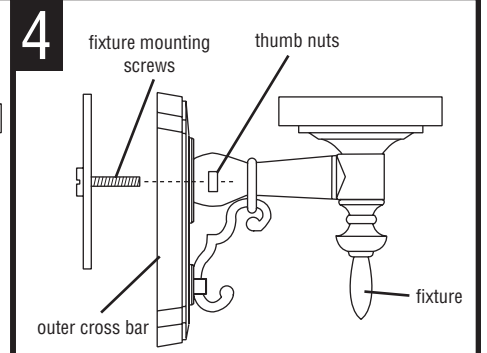
Screw tail into base.



THREAD fixture mounting screws (provided) into outer cross bar. ATTACH cross bar to outlet box with outlet box screws (not provided).



CONNECT THE WIRES. NOTE: Attach black fixture wire to black supply wire, white fixture wire to white supply wire. Do not mix them up. Use approved electrical tape or wire connectors (not provided). Connect bare fixture ground wire to ground wire from outlet box. NEVER CONNECT GROUND WIRE TO BLACK OR WHITE POWER SUPPLY WIRES.

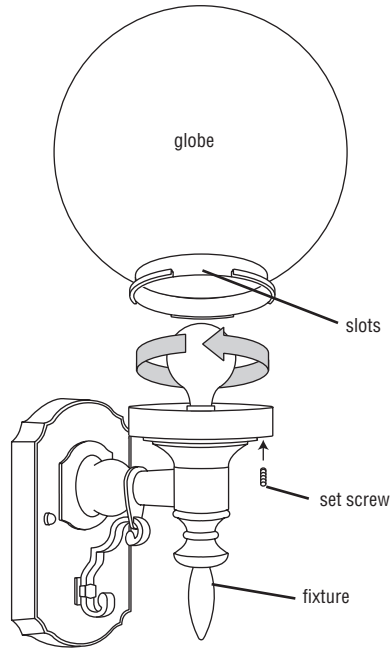


POSITION THE FIXTURE HOUSING over the fixture mounting screws and secure in place with the thumb nuts provided

INSTALLATION INSTRUCTIONS

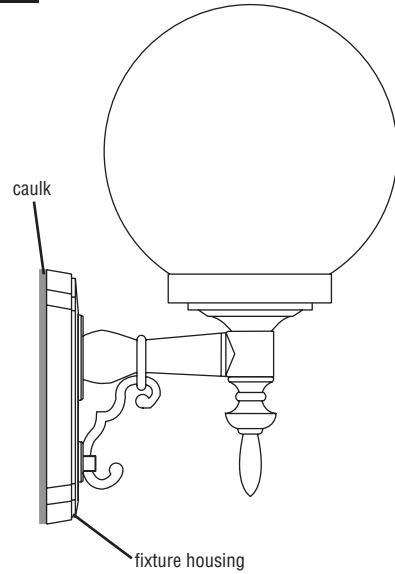
CONTINUED FROM OTHER SIDE

5



SCREW LIGHT BULB INTO SOCKET. Be sure to use bulb with wattage no greater than specified for this fixture. Affix globe to fixture by aligning dimples in fitter with slots in globe. Rotate clockwise. Install set screw.

6

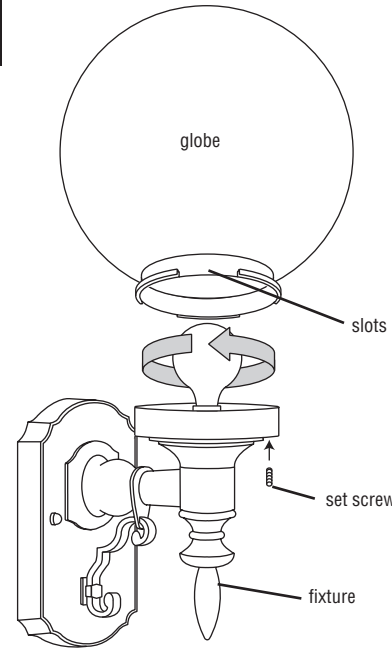


NOTE: Fixture MUST be caulked with an acrylic caulk where fixture housing meets mounting surface. This provides a water tight seal when fixture is installed.

INSTALLATION INSTRUCTIONS

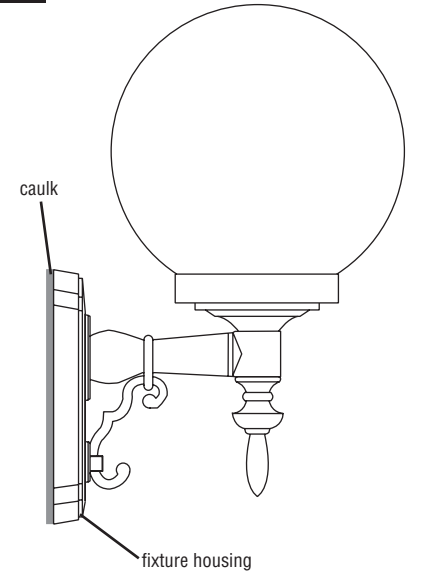
CONTINUED FROM OTHER SIDE

5



SCREW LIGHT BULB INTO SOCKET. Be sure to use bulb with wattage no greater than specified for this fixture. Affix globe to fixture by aligning dimples in fitter with slots in globe. Rotate clockwise. Install set screw.

6



NOTE: Fixture MUST be caulked with an acrylic caulk where fixture housing meets mounting surface. This provides a water tight seal when fixture is installed.



Clean only with mild soap and water. Avoid spraying with cleaners, insecticides, and pesticides that are petroleum based hydrocarbon products. These will degrade luminaire.

IS044 Rev B



Clean only with mild soap and water. Avoid spraying with cleaners, insecticides, and pesticides that are petroleum based hydrocarbon products. These will degrade luminaire.

IS044 Rev B