

Features

- Black or White Cast Aluminum Housing
- Powder Coated Finish
- Mounting Hardware Included
- IP65 Rated - Hose Down
- Enclosed and Gasketed
- Opal Polycarbonate Diffuser
- Wall or Ceiling Mount
- Minimum Starting Temp -20°F
- ETL Listed for Wet Locations
- Available CCT 3000K or 4000K
- Water & Insect Proof
- Energy Star ***

Applications

- Outdoor Security/Area Light
- Surface Mount



Wattage/Lumens

120V Integrated LED Systems

- 14W Integrated LED (Dimmable)**
 - (3000K-1430lm)
 - (4000K-1500lm)
- 22W Integrated LED (Dimmable)**
 - (3000K-1950lm)
 - (4000K-2130lm)
- 32W Integrated LED (Dimmable)
 - (3000K-2700lm)
 - (4000K-2750lm)

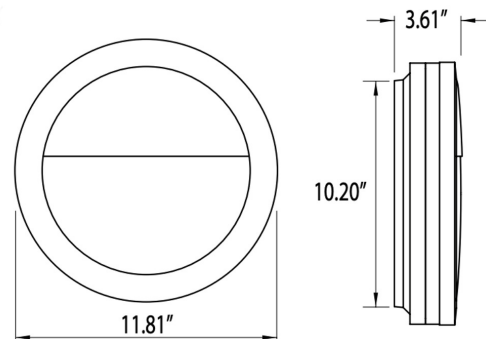
120/277V Integrated LED Systems (Non-Dimmable)

- 22W Integrated LED*
 - (3000K-1704lm)
 - (4000K- 1824lm)

Warranty

- 5 Year

Dimensions



Options

- Occupancy Sensor**
- Battery Back Up**
- Motion Sensor*

ORDERING GUIDE

Family	Lens Color	Finish	Wattage	CCT	Options
389	1 - Opal White	1 - White 5 - Black	14LED-120 - 14 Watt 22LED-120 - 22 Watt 32LED-120 - 32 Watt 22LMV - 22W 120/277V	30K - 3000K 40K - 4000K	OS - Occupancy Sensor B3 - Battery Back Up