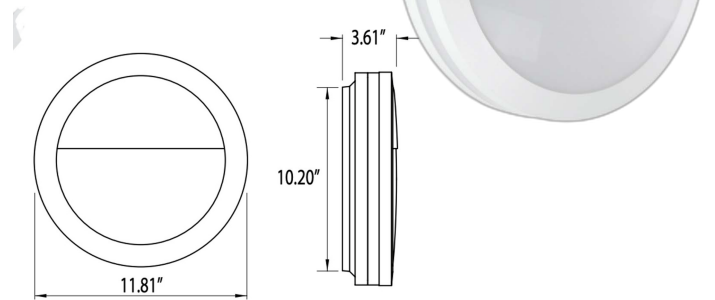


DESCRIPTION

Incon Lighting's Commando 389 Semi-Cutoff Series adds a modern look to any outdoor space. This fixture is ETL Listed and IP65 rated. The 389 series features a double gasket seal with a twist-lock lens for a water and bug-proof tight seal. The Commando 389 series is engineered for wall or ceiling applications and mounting hardware is included. Options include an Motion Sensor/Photocell and Emergency Battery Back Up.

FEATURES

- Black or White Cast Aluminum Housing
- Powder Coated Finish
- Mounting Hardware Included
- IP65 Rated - Hose Down
- Enclosed and Gasketed
- Opal Polycarbonate Diffuser
- Wall or Ceiling Mount
- Minimum Starting Temp -20°F
- ETL Listed for Wet Locations
- Available CCT 3000K or 4000K
- Insect Resistant Housing



PROJECT: _____

SCHEDULE: _____ DATE: _____

PREPARED BY: _____

NOTES: _____

WATTAGE/LUMENS

120V Integrated LED Systems

120/277V Integrated LED Systems

- 14W Integrated LED
 - (3000K - 1430lm)
 - (4000K - 1500lm)
- 23W Integrated LED
 - (3000K - 1950lm)
 - (4000K - 2130lm)
- 32W Integrated LED
 - (3000K - 2700lm)
 - (4000K - 2750lm)
- 22W Integrated LED
 - (3000K - 1704lm)
 - (4000K - 1824lm)

ORDERING GUIDE (Sample: 38911-14LED-120-30K)

Family	Lens Color	BASE COLOR	Wattage	CCT	Options
389	1 - White	1 - White	14LED-120 - 14 Watt	30K - 3000K 40K - 4000K	B3 - Battery Back-up S - Motion/Photocell Sensor ** S not available on LE2600X
		5 - Black	23LED-120 - 23 Watt		
			LE2600X - 32 Watt		
			L1800X - 22W (120/277V)		

Specifications subject to change without notice

FEATURES



Additional Notes

