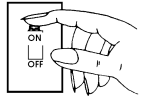


# INSTALLATION INSTRUCTIONS

READ IMPORTANT SAFETY TIPS BEFORE PROCEEDING WITH INSTALLATION

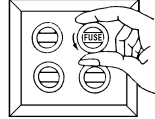
## SAFETY TIPS



Turn fixture off! (Place wall switch in off position, if fixture has built-in switch or chain pull, switch or pull chain so fixture is off.)

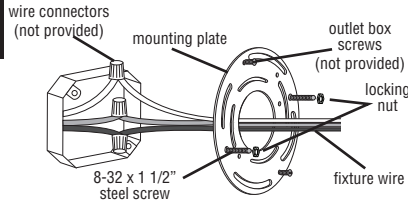


Next - go to the main fuse box. If your fuse box has an ON/OFF switch, simply place main power switch in OFF position.



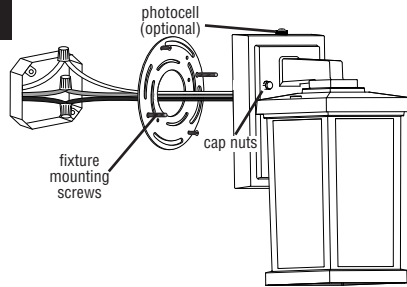
Screw-in type fuses - unscrew the fuse or fuses that control the power to the fixture or room you are working in.

1



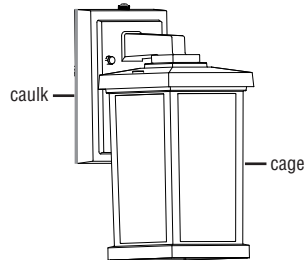
Screw 8-32 x 1 1/2" steel screws (provided) into mounting plate. Head of screw to be flush with back of mounting plate. Thread one 8-32 locking nut (provided) on to each screw until it is flush and tight with front of mounting plate. Attach mounting plate to outlet box, with screw threads facing outward, using the outlet box screws. Connect the wires from the outlet box and fixture. Attach black fixture wire to black supply wire, white fixture wire to white supply wire, and bare or green ground supply wire using wire connectors.

2



POSITION THE FIXTURE HOUSING over the fixture mounting screws and secure in place with the cap nuts provided.

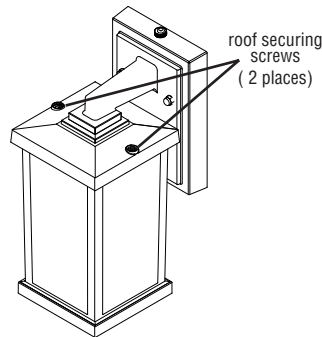
3



SCREW BULB into socket. Be sure to use bulb with wattage no greater than specified on fixture. NOTE: Cage does not have to be removed to install bulb.

NOTE: Fixture MUST be caulked with an acrylic caulk where fixture housing meets mounting surface. This provides a water tight seal when fixture is installed.

4



To remove cage from roof, loosen the two roof securing screws.

This fixture may have an integral photo sensor that turns the fixture off during the day and on at night. The photo sensor is not adjustable. The fixture could possibly cycle on and off due to light reflected from nearby surfaces into the photo sensor. If cycling occurs, remove the photo sensor nut and install the swivel hood base.



The hood and base and adjustable hood can be rotated and base can be cut along dotted line to reduce overall length. Check operation before cutting the base.

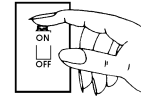
CLEAN ONLY WITH MILD SOAP AND WATER. AVOID SPRAYING WITH CLEANSERS, INSECTICIDES, AND PESTICIDES THAT ARE PETROLEUM BASED HYDROCARBON PRODUCTS. THESE WILL DEGRADE LUMINAIRE.

IFH145INC

# INSTALLATION INSTRUCTIONS

READ IMPORTANT SAFETY TIPS BEFORE PROCEEDING WITH INSTALLATION

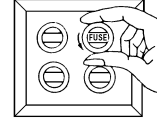
## SAFETY TIPS



Turn fixture off! (Place wall switch in off position, if fixture has built-in switch or chain pull, switch or pull chain so fixture is off.)

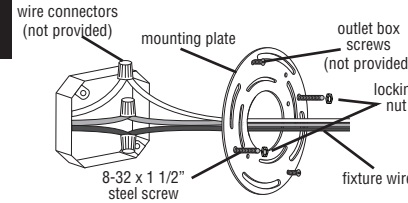


Next - go to the main fuse box. If your fuse box has an ON/OFF switch, simply place main power switch in OFF position.



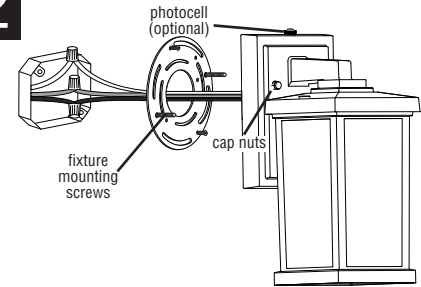
Screw-in type fuses - unscrew the fuse or fuses that control the power to the fixture or room you are working in.

1



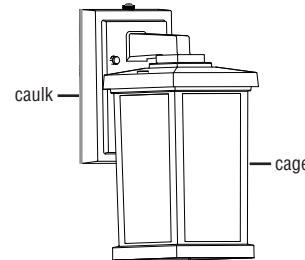
Screw 8-32 x 1 1/2" steel screws (provided) into mounting plate. Head of screw to be flush with back of mounting plate. Thread one 8-32 locking nut (provided) on to each screw until it is flush and tight with front of mounting plate. Attach mounting plate to outlet box, with screw threads facing outward, using the outlet box screws. Connect the wires from the outlet box and fixture. Attach black fixture wire to black supply wire, white fixture wire to white supply wire, and bare or green ground supply wire using wire connectors.

2



POSITION THE FIXTURE HOUSING over the fixture mounting screws and secure in place with the cap nuts provided.

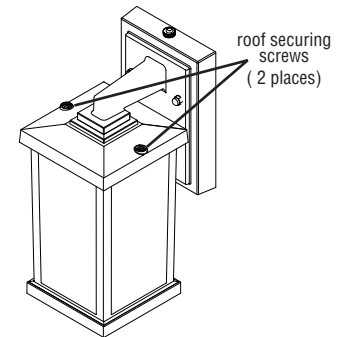
3



SCREW BULB into socket. Be sure to use bulb with wattage no greater than specified on fixture. NOTE: Cage does not have to be removed to install bulb.

NOTE: Fixture MUST be caulked with an acrylic caulk where fixture housing meets mounting surface. This provides a water tight seal when fixture is installed.

4



To remove cage from roof, loosen the two roof securing screws.

This fixture may have an integral photo sensor that turns the fixture off during the day and on at night. The photo sensor is not adjustable. The fixture could possibly cycle on and off due to light reflected from nearby surfaces into the photo sensor. If cycling occurs, remove the photo sensor nut and install the swivel hood base.



The hood and base and adjustable hood can be rotated and base can be cut along dotted line to reduce overall length. Check operation before cutting the base.

CLEAN ONLY WITH MILD SOAP AND WATER. AVOID SPRAYING WITH CLEANSERS, INSECTICIDES, AND PESTICIDES THAT ARE PETROLEUM BASED HYDROCARBON PRODUCTS. THESE WILL DEGRADE LUMINAIRE.

IFH145INC