

Features

- Non-corrosive, anti-chip Composite housing
- UV resistant for outdoor installation
- Black anti-rust finish for long life
- Anti-Glare LED™ Frost Acrylic Lens
- Available in Integrated LED or E26 Medium Socket
- 120V 50/60Hz
- Buy American Compliant
- Warranty (5-Year LED) (3-Year Medium Base)
- LED Models 50,000hr L70

Applications

- Wall Mount
- Outdoor Use Only

Wattage/Lumens

- Medium E26 Base (60W Max) (Bulb Not Included)
- 13W Integrated LED
 - (3000K-1140lm)
 - (4000K-1280lm)

Warranty

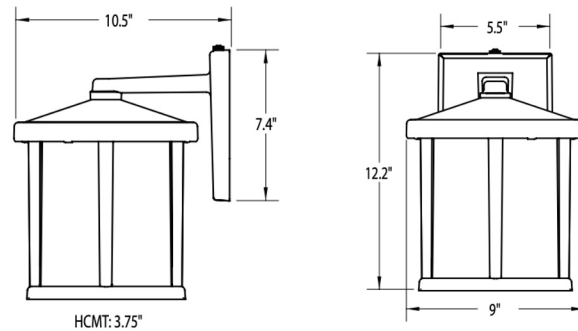
- 5-Year LED
- 3-Year Medium Base



Options


Photocell (120V)

Dimensions



ORDERING GUIDE

Example: 40765-13LED-120

Family	Lens Color	Base Color	Wattage	CCT	Options
407	6 - Frost	5 - Black	E26 - Medium Base	—	PE - Photocell (120V)
		Special Finishes** 1 - White 3B - Bronze	13LED-120 - 13 Watt 	30K - 3000K 40K - 4000K	

For more information, visit www.inconlighting.com/407

05/2020

13LED-120 is Energy Star Listed

*Specifications subject to change without notice

**Custom Finishes require a min order of 48 pieces