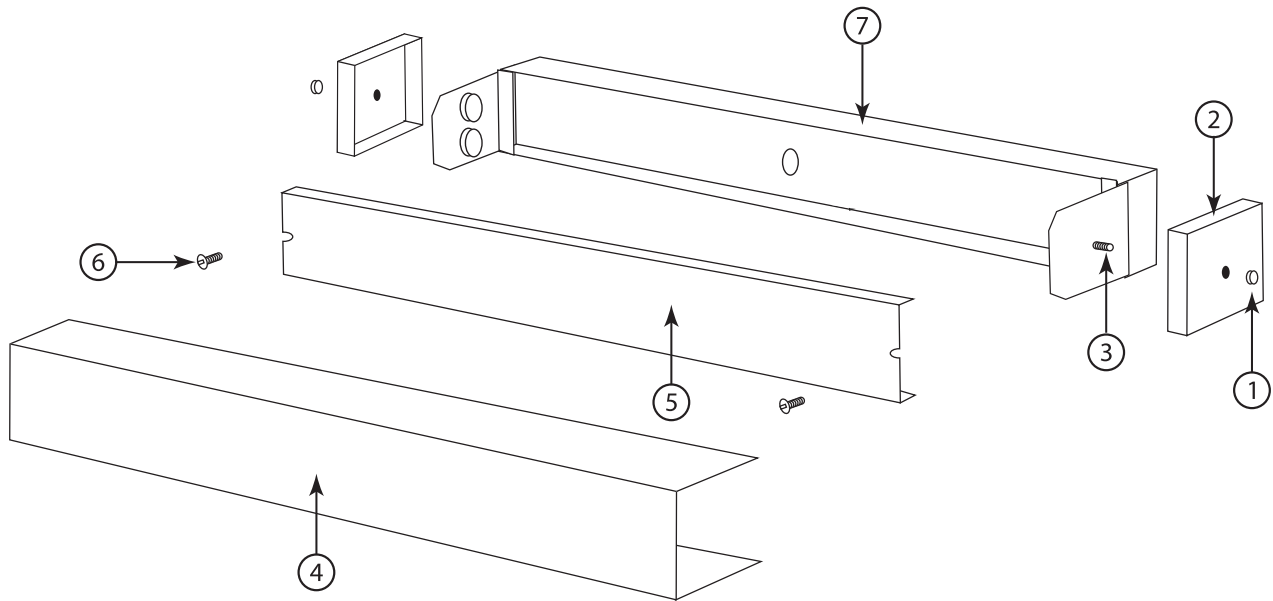


ASSEMBLY & INSTALLATION INSTRUCTIONS

CAUTION: READ INSTRUCTIONS CAREFULLY AND TURN ELECTRICITY OFF AT MAIN CIRCUIT BREAKER PANEL BEFORE BEGINNING INSTALLATION. THIS PRODUCT MUST BE INSTALLED IN ACCORDANCE WITH THE APPLICABLE INSTALLATION CODE BY A PERSON FAMILIAR WITH THE CONSTRUCTION AND OPERATION OF THE PRODUCT AND HAZARDS INVOLVED.

ASSEMBLY STEPS

1. Remove Nut (1) and End Plate (2) from Stud (3).
2. Carefully Remove Diffuser (4) from Fixture Body (7).
3. Remove Lamps (not shown) by rotating until pin on Lamps is visible at top of Lampholders (not shown). Remove and Discard Protective Cover.
4. Remove Cover Plate Screws (6) and Cover Plate (5) from Fixture.
5. Install Fixture Body to wall by using existing Knockouts/Holes in Fixture Body over appropriate Mounting Hole location on wall and install using appropriate Screws (NOT FURNISHED).
6. Connect Black AC Supply Wire to Black AC Wire(s) from Lampholder with Wire Nut. Connect White AC Supply Wire to White AC Wire(s) from Lampholder with Wire Nut. Connect AC Supply Ground Wire to Fixture Ground Wire with Wire Nut. Note: Wire Nuts not furnished.
7. Carefully fasten Cover Plate (5) to Fixture Body (1) with Cover Plate Screws (6). Note: Cover Plate must be oriented such that AC input marking on Cover Plate is on same end of Fixture Body with Lampholder with Leads.
8. Install Lamps. Insert Lamp into Lampholder and rotate Lamp. Note: End of Lamp marked AC Input must be into Lampholder on end of fixture marked AC Input.
9. Attach End Plate (2) to one end of Fixture with Nut (1) Finger Tighten Only. Slide Diffuser (4) into end of Fixture without End Plate. Attach End Plate.



WIRING DIAGRAM

