

DATE: _____ TYPE: _____
 NAME: _____
 PROJECT: _____

Noelani 708 Series

LED IP66 Half Cut-Off Wall Mount

Specifications:

Description:

The Noelani 708 series is designed to replace HID fixtures up to 100 watt HPS or Metal Halide. The half cutoff frame helps protect the polycarbonate lens and adds a decorative touch to the fixture.

Features:

- ° **Housing** - Die-Cast gasketed aluminum
- ° **Listing & Ratings** - CSA for Wet Location IP66
- ° **Finish** - Textured Architectural Bronze
- ° **Minimum Starting Temp** -40°F
- ° **Voltage** - 120/277V 50/60HZ
- ° **Dimming** - 100% to 10%

Application:

- ° Outdoor Use Only
- ° Wet Locations IP66

Energy Consumption:

- ° 17W Array: Total System 19.7W
- ° L70 187,000 Hrs
- ° Optics - Type IV
- ° 3000K CCT, 4000K CCT, 5000K CCT, 80 > CRI
- ° 100W HID Equal

Accessories:

B1 - Battery Backup ° **SF** - Single Fuse ° **DF** - Double Fuse
PE3 - 120/277V Photocell ° **SP** - Surge Protector

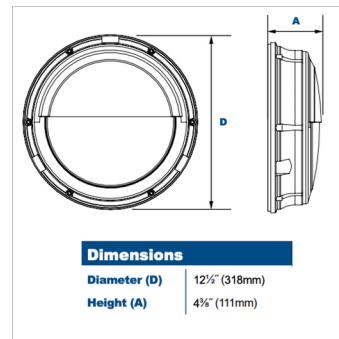
Catalog number:

Family	Lens Color	Base Color	Wattage	CCT	Options
708	1 - White	1 - White 3B - Bronze	17LED- 17 Watt	30K - 3000K 40K - 4000K 50K - 5000K	B1 - Battery Back up (90 min) PE3 - 120/277V Photocell SF - Single Fuse DF - Double Fuse SP - Surge Protector

Images:



Dimensions:



Warranty:

5 Year Full Unit Warranty

Compliances:

