



754 SERIES

FLUORESCENT/HID



75493B-100H



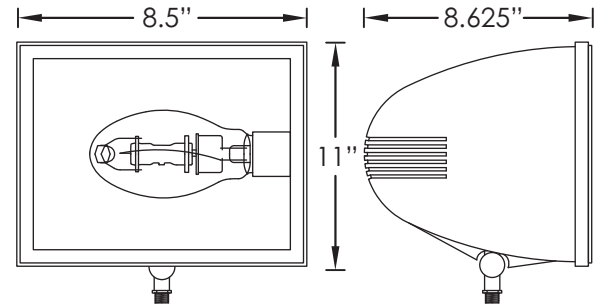
75493B-100H-GS



75493B-100H-WG

STANDARD SPECIFICATIONS

<b>Housing</b>	Die-Cast Aluminum
<b>Lens</b>	Clear Tempered Glass
<b>Ballast</b>	(iii) 120/277V 50/60Hz Electronic HPF (iv) 120 Volt / 60Hz Reactor Magnetic NPF (v) 120/208/240/277V 60 Hz HX Magnetic HPF <b>PS</b> (vi) 120/208/240/277V 60Hz CWA Magnetic HPF <b>PS</b>
<b>Lamp(s)</b>	Lamp(s) Included
<b>Certification</b>	Wet Location Listed
<b>Mounting</b>	1/2" Threaded Adjustable Knuckle



PRODUCT FAMILY	LENS TYPE	FINISH	WATTAGE	OPTIONS*
754	9	3B		



9 - Clear

3B - Bronze

<b>26QE</b> - (1)26W G24Q-3 (iii)	ALLK B2 GS NL PL PTF SL WG VS
<b>32T</b> - (1)32W GX24Q-3 (iii)	277 GS PTF WG VS
<b>42T</b> - (1)42W GX24Q-4 (iii)	GS PTF WG VS
<b>70H</b> - (1)70W HPS E26 (iv)	277 GS HB NL PL PTF SL WG VS
<b>70M</b> - (1)70W MH E26 (v)	GS NL PL PTF SL WG VS
<b>100H</b> - (1)100W HPS E26 (v)	277 GS HB NL PL PTF SL WG VS
<b>100M</b> - (1)100W MH E26 (vi)	GS NL PL PTF SL WG VS
<b>150H</b> - (1)150W HPS E26 (v)	277 GS HB NL PL PTF SL WG VS
<b>150M</b> - (1)150W MH E26 (vi)	GS NL PL PTF SL WG VS

OPTION LEGEND

<b>27K</b>	2700 Kelvin Warm White Light Temperature
<b>30K</b>	3000 Kelvin Warm White Light Temperature
<b>35K</b>	3500 Kelvin Medium White Light Temperature
<b>41K</b>	4100 Kelvin Cool White Light Temperature
<b>50K</b>	5000 Kelvin Full Spectrum Light Temperature
<b>ALLK</b>	Wattage comes in all kelvin above, choose one.
<b>277</b>	277 Volt Ballast
<b>B2</b>	Remote Battery Backup (CFL Only)
<b>GS</b>	Glare Shield
<b>HB</b>	High Power Factor
<b>NL</b>	No Lamp
<b>PL</b>	Philips Lamp
<b>PTF2</b>	Post Top Fitter
<b>SL</b>	Sylvania Lamp
<b>VS</b>	Vandal Resistant Polycarbonate Shield
<b>WG</b>	Vandal Resistant Wire Guard

**PS** All Metal Halide (MH) Fixtures are IESA (Pulse Start) Compliant.

\* May not be available in all wattages or combinations, please call factory.