

Dimensions

| | |
|------------------|---------------|
| Base Length (B1) | 8" (203mm) |
| Base Height (B2) | 8" (203mm) |
| Length (A) | 39½" (1003mm) |
| Height (C) | 24" (606mm) |

See Page 3 for Fixture and Arm Dimensions

The Incon LED Vaporproof Gooseneck luminaire is available with 5 Gooseneck arms of various lengths and is designed to replace HID lighting systems up to 175w MH or HPS. This vapor resistant fixture can withstand extreme physical and environmental abuse and is ideal for retail centers, industrial parks, schools and universities, public transit and airports, office buildings and medical facilities. Designed for architectural wall mounting up to heights of 20 feet based on light level and uniformity requirements.

8006 Specifications and Features:

Housing:

Heavy Duty Die Cast Aluminum Housing with Integral Heat Sinking, ¾" NPS Threaded Mount.

Listing & Ratings:

ETL: Listed for Wet Locations, ANSI/UL 1598, 8750; IP66 Sealed LED Compartment.

Finish:

Powdercoat Finish Over a Chromate Conversion Coating. Custom Colors Available Upon Request.

Lens:

Flat Clear Tempered Glass Lens

Mounting:

Fixed Mount or Adjustable Swivel with ¾" NPS Threads.

EasyLED LED:

Aluminum Boards

Wattage:

Array: 23w, System: 27w (175w HID Equivalent)

Driver:

Electronic Driver, 120-277V, 50/60Hz; Less Than 20% THD and PF>0.90. Standard Internal Surge Protection 2kV. 0-10V Dimming Standard for a Dimming Range of 100% to 10%; Dimming Source Current is 150 Microamps.

Warranty:

5-Year Warranty for -40°C to +50°C Environment.

See Page 4 for Projected Lumen Maintenance Table.

Gooseneck Arm Specifications and Features:

Construction:

Heavy-Duty ¾" Aluminum Arms with ¾" NPS Threads on Fixture Mounting End.

Finish:

Powdercoat Finish Over a Chromate Conversion Coating. Custom Colors Available Upon Request.

Mounting Options:

Mount with ¾" Square or Round Mounting Plates.

Project Information:

Project Name: _____ Fixture Type: _____
 Complete Catalog #: _____ Date: _____
 Comments: _____

Certification & Listings:



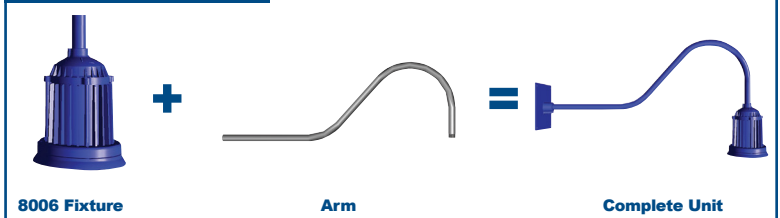
Step 1: Select 8006 Luminaire

| Order Information Example: | | 8006F1X23U5KCGNSDF | | | | | |
|--|----------|--------------------|------------|----------------------|---|---|---|
| Model | Optics | Wattage | Driver | CCT | Color | Mounting | Options |
| 8006 =EasyLED LEDicated Pendant Mount Vaporproof | F=Type V | 1X23=23w | U=120-277V | 4K=4000K 5K=5000K | B=Black, RAL9011 P=Platinum, RAL9006 R=Red, RAL3020 W=White, RAL9016 C=Custom (Consult Factory) | GNF=Fixed Downlight, Includes 72" of Wire for Arm Feed Through to Wall Box GNS=Adjustable Swivel Includes 72" of Wire for Arm Feed Through to Wall Box | SF=Single Fusev* DF=Double Fuse* *120-277V Models Only. |

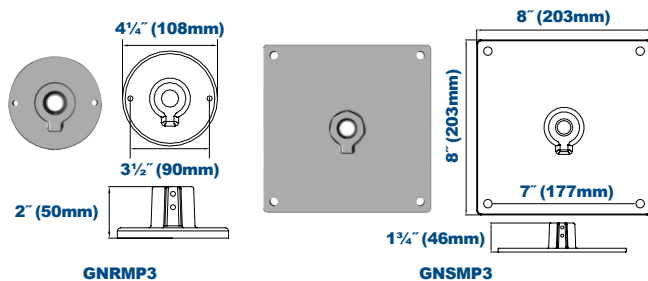
Step 2: Select Arm

| Order Information Example: | | GNA01336CS | |
|----------------------------|--------------------------------------|---|--|
| Model | Length | Color | Mounting |
| GNA013 - Classic Hook | 36=36" 30=30" | B=Black, RAL9011 P=Platinum, RAL9006 R=Red, RAL3020 W=White, RAL9016 C=Custom (Consult Factory) | S=Square Oversized Wall Mount R=Round Wall Mount N=No Wall Mount |
| GNA023 - Straight | 30=30" 24=24" 18=18" 12=12" | | |
| GNA033 - Straight Offset | 30=30" 24=24" | | |
| GNA043 - Straight Rise | 30=30" | | |
| GNA053 - Round Hook | 30=30" 24=24" 18=18" | | |

Specification Guide:



Wall Plate Dimensions



Replacement Wall Plates (Order Separately, Field Installed)

GNRMP3* Round Wall Mount Plate, Powdercoat Finish.

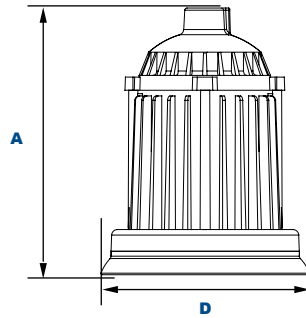
GNSMP3* Square Oversized Wall Mount Plate, Powdercoat Finish.

*Specify Color: B=Black, P=Platinum, R=Red, W=White, C=Custom (Consult Factory)

8006 Dimensions



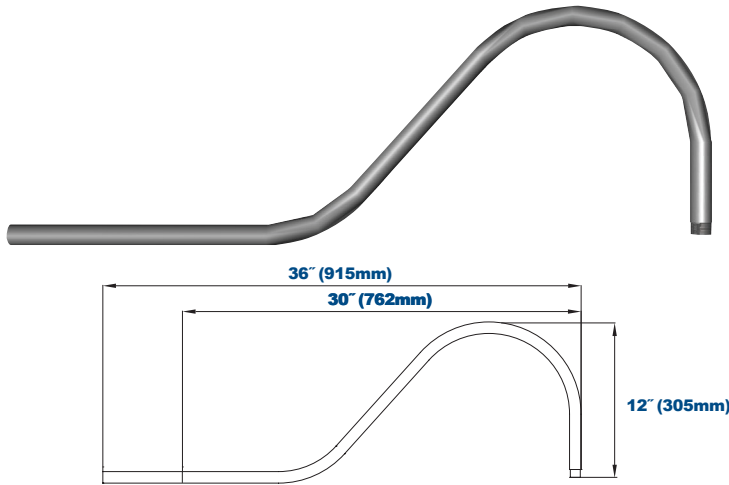
LEDicated
Vaporproof



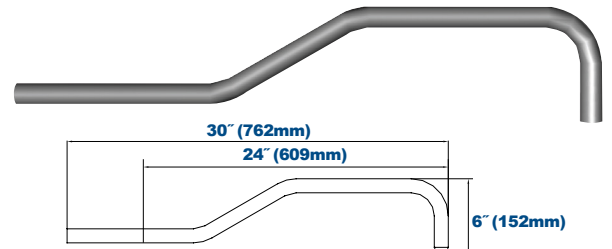
Dimensions

| | |
|--------------|-------------|
| Diameter (D) | 7¼" (184mm) |
| Height (A) | 9¼" (235mm) |

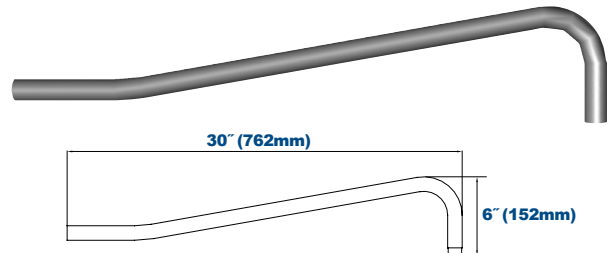
Gooseneck Dimensions



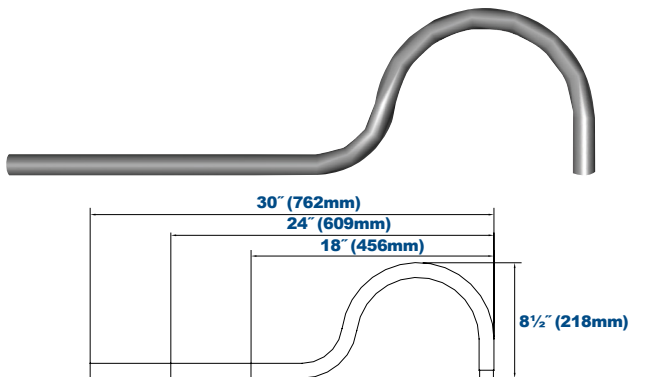
GNA01336P Classic Hook



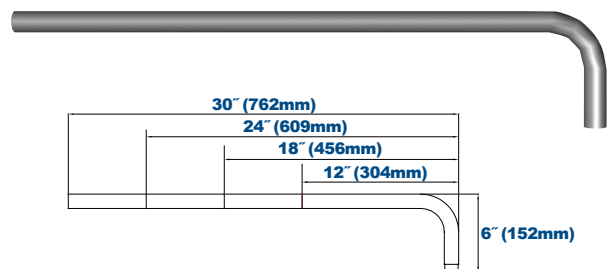
GNA03330P Straight Offset



GNA04330P Straight Rise

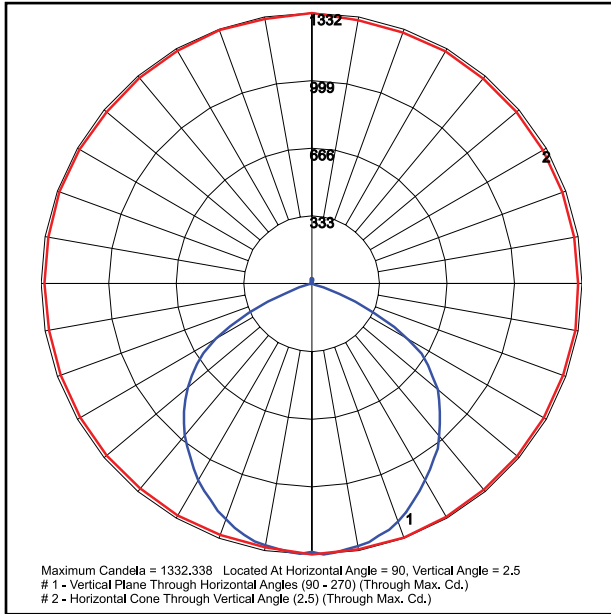


GNA05336P Round Hook



GNA02330P Straight

Photometric Data



Maximum Candela = 1332.338 Located At Horizontal Angle = 90, Vertical Angle = 2.5
1 - Vertical Plane Through Horizontal Angles (90 - 270) (Through Max. Cd.)
2 - Horizontal Cone Through Vertical Angle (2.5) (Through Max. Cd.)

8006F1X23U5K
Type V

Grid in MH
MH=10 Feet

Photometric Performance

| LED Board Watts | Drive Current (mA) | Input Watts | Optics | 5000 CCT 80 CRI | | | | | 4000 CCT 80 CRI | | | | |
|-----------------|--------------------|-------------|--------|-----------------|-----|---|---|---|-----------------|-----|---|---|---|
| | | | | Lumens | LPW | B | U | G | Lumens | LPW | B | U | G |
| EasyLED 23w | 116 | 27 | Type V | 3,385 | 125 | 2 | 2 | 0 | 3,097 | 115 | 1 | 2 | 0 |

Projected Lumen Maintenance

| Data shown for 5000 CCT TM-21-11 | Input Watts | Compare to MH | | | | | Calculated LED Life |
|--------------------------------------|-------------|---------------|------------|------------|-------------|---------|---------------------|
| | | Initial | 25,000 Hrs | 50,000 Hrs | 100,000 Hrs | | |
| L70 Lumen Maintenance @ 25°C / 77°F | 27 | 1.00 | 0.96 | 0.92 | 0.84 | 187,000 | |
| L70 Lumen Maintenance @ 50°C / 122°F | 27 | 1.00 | 0.93 | 0.86 | 0.72 | 107,000 | |
| L80 Lumen Maintenance @ 40°C / 104°F | 27 | 1.00 | 0.94 | 0.88 | 0.76 | 82,000 | |

NOTES:

1. Projected per IESNA TM-21-11. Data references the extrapolated performance projections for the base model in a 25°C ambient, based on 10,000 hours of LED testing per IESNA LM-80-08.
2. Compare to MH box indicates suggested Light Loss Factor (LLF) to be used when comparing to Metal Halide (MH) systems.