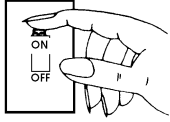


INSTALLATION INSTRUCTIONS

READ IMPORTANT SAFETY TIPS BEFORE PROCEEDING WITH INSTALLATION

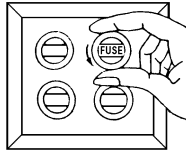
SAFETY TIPS



Turn fixture off! (Place wall switch in off position, if fixture has built-in switch or chain pull, switch or pull chain so fixture is off.)

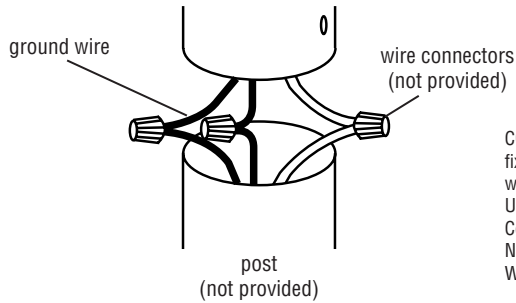


Next - go to the main fuse box. If your fuse box has an ON/OFF switch, simply place main power switch in OFF position.



Screw-in type fuses - unscrew the fuse or fuses that control the power to the fixture or room you are working in.

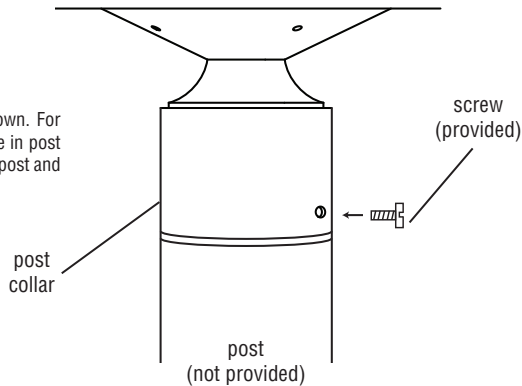
1



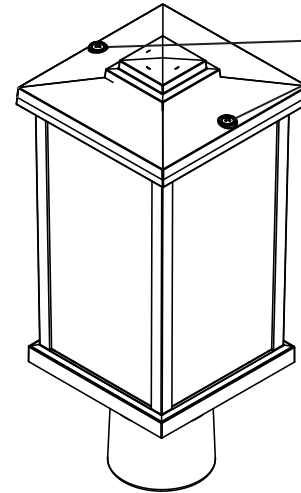
CONNECT THE WIRES. NOTE: Attach the black fixture wire to the black supply wire, the white fixture wire to the white supply wire. Do not mix them up. Use approved wire connectors (not provided). Connect bare fixture ground wire to supply ground. NEVER CONNECT GROUND WIRE TO BLACK OR WHITE POWER SUPPLY WIRES.

2

POSITION THE FIXTURE over the post as shown. For permanent mounting, fasten with screw at hole in post collar by drilling hole at same location through post and securing with screw.



3



FH246

roof securing screws (2 places)

Screw light bulb into socket. Be sure to use bulb type and wattage specified on fixture.

Loosen the two roof securing screws. Remove roof, install bulb and then attach roof.



CLEAN ONLY WITH MILD SOAP AND WATER. AVOID SPRAYING WITH CLEANSERS, INSECTICIDES, AND PESTICIDES THAT ARE PETROLEUM BASED HYDROCARBON PRODUCTS. THESE WILL DEGRADE LUMINAIRE.