

Features

- Non-corrosive, anti-chip Composite housing
- UV resistant for outdoor installation
- Black, Bronze, or White anti-rust finish for long life
- Anti-Glare LED™ Frost Acrylic Lens
- Wet Location Listed
- Available in Integrated LED or E26 Medium Socket
- Fits on a 3" Diameter Pole (*Not Included*)
- 120V 50/60Hz
- Buy American Compliant
- LED Models are Dimmable
- Warranty (5-Year LED) (3-Year Medium Base)
- LED Models 50,000hr L70

Applications

- Outdoor Use Only
- Post Mount

Wattage/Lumens

E26 Medium Base LED A19 Ready

- Medium E26 Base
 - LED A19 Ready (*Bulb Not Included*)
 - Incandescent (60W Max) (*Bulb Not Included*)

Integrated LED 120V Systems

- 13W Integrated LED (*Dimmable*)
 - (3000K-1140lm)
 - (4000K-1280lm)

Warranty

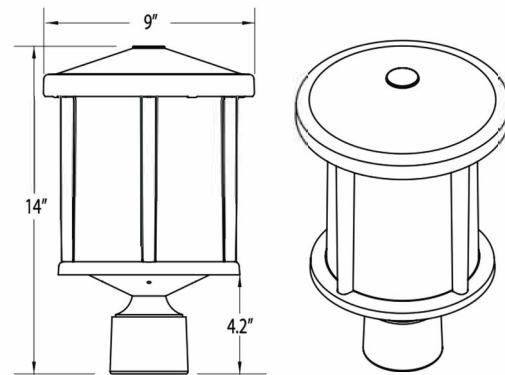
- 5-Year LED
- 3-Year Medium Base



Options

Black Photocell 120V Adapter
Pier Mount (Field Cuttable)

Dimensions



ORDERING GUIDE

Example: 80765-E26

Family	Lens Color	Base Color	Wattage	CCT	Options
807	6 - Frost	1 - White	E26 - Medium Base	-	PCA5 - Photocell Blk Adapter PMB - Black Pier Mount
		3B - Bronze			
		5 - Black	13LED-120 - 13 Watt	30K - 3000K 40K - 4000K	