

Features

- Non-corrosive Composite Housing
- UV resistant for Outdoor installation
- Available in Black or White Finish
- Clear Prismatic Acrylic Lens
- UL Listed for Wet Location
- Available in Integrated LED or E26 Medium Socket (*LED A19 Ready*)
- Fits on most 3" Diameter Posts (*Not Included*)
- Buy American Compliant
- LED Models are Dimmable
- Warranty (5-Year LED) (3-Year Medium Base)
- LED Models 50,000hr L70



Applications

- Post/Pier Mount
- Outdoor Use Only
- Wet Locations

Options

- Black Pier Mount (Field Cuttable)
- Photocell (120V) Pole Adapter

Wattage/Lumens

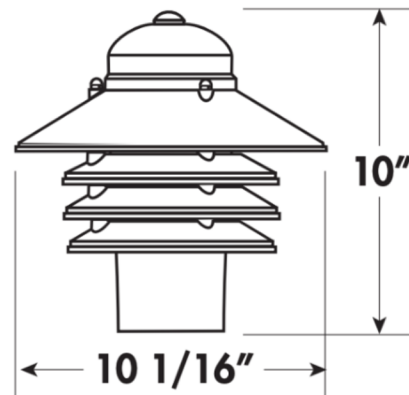
E26 Medium Base LED A19 Ready System

- Medium E26 Base
 - LED A19 Ready (*Bulb Not Included*)
 - Incandescent (*60W Max*) (*Bulb Not Included*)

Integrated LED 120V Systems

- 13W Integrated LED (*Dimmable*)
 - (3000K-1140lm)
 - (4000K-1280lm)

Dimensions



Warranty

- 5-Year LED
- 3-Year Medium Base

ORDERING GUIDE

Example: 84295-13LED-120-30K

Family	Lens Color	Base Color	Wattage	CCT	Options
842	9 - Clear	1 - White 5 - Black	E26 - Medium Base	—	PCA5 - Black Photocell Adapter PMB - Black Pier Mount
			13LED-120 - 13 Watt	30K - 3000K 40K - 4000K	