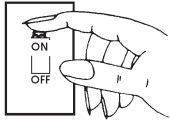


INSTALLATION INSTRUCTIONS

READ IMPORTANT SAFETY TIPS BEFORE PROCEEDING WITH INSTALLATION

SAFETY TIPS

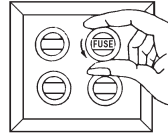


Turn fixture off! (Place wall switch in off position, if fixture has built-in switch or chain pull, switch or pull chain so fixture is off.)



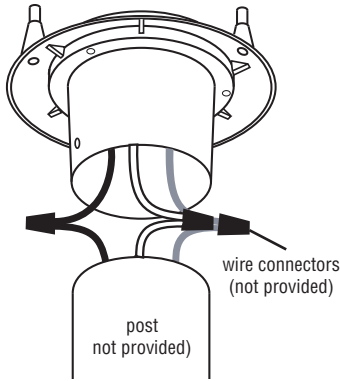
Next - go to the main fuse box. If your fuse box has an ON/OFF switch, simply place main power switch in OFF position.

OR



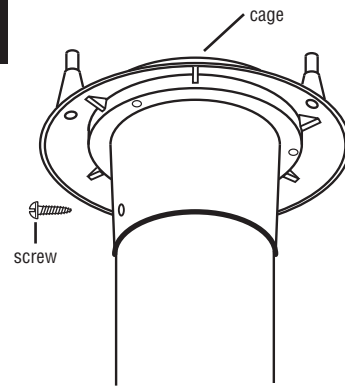
Screw-in type fuses - unscrew the fuse or fuses that control the power to the fixture or room you are working in.

1



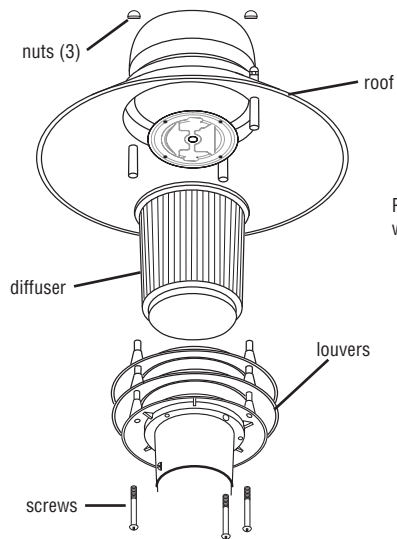
Connect the wires. Note: Attach black fixture wire to black supply wire, white fixture wire to white supply wire and green fixture ground to supply ground. Do not mix them up. Use wire connectors (not provided). Never connect green fixture ground to black or white supply leads.

2



Position the fixture over the post as shown. Fasten with screw at hole in post collar by drilling hole at same location through post and securing with screw.

3

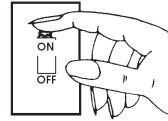


Position louvers to base. Place diffuser in base and attach roof with screws and nuts.

INSTALLATION INSTRUCTIONS

READ IMPORTANT SAFETY TIPS BEFORE PROCEEDING WITH INSTALLATION

SAFETY TIPS

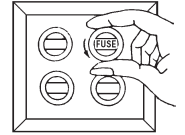


Turn fixture off! (Place wall switch in off position, if fixture has built-in switch or chain pull, switch or pull chain so fixture is off.)



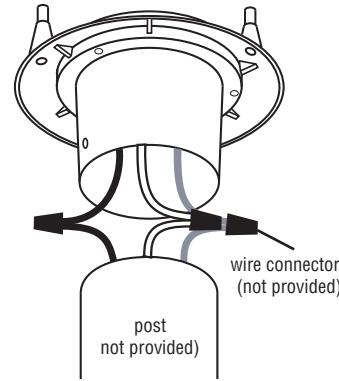
Next - go to the main fuse box. If your fuse box has an ON/OFF switch, simply place main power switch in OFF position.

OR



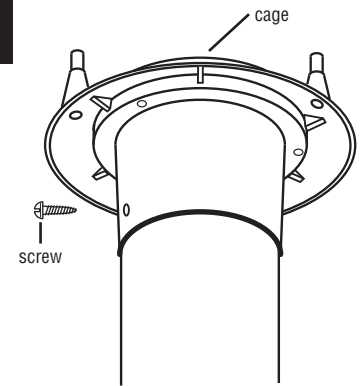
Screw-in type fuses - unscrew the fuse or fuses that control the power to the fixture or room you are working in.

1



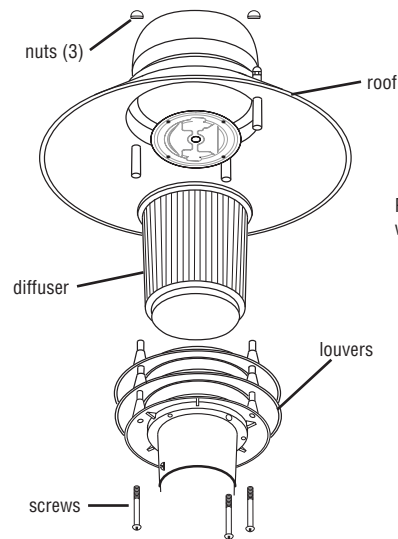
Connect the wires. Note: Attach black fixture wire to black supply wire, white fixture wire to white supply wire and green fixture ground to supply ground. Do not mix them up. Use wire connectors (not provided). Never connect green fixture ground to black or white supply leads.

2



Position the fixture over the post as shown. Fasten with screw at hole in post collar by drilling hole at same location through post and securing with screw.

3



Position louvers to base. Place diffuser in base and attach roof with screws and nuts.



Clean only with mild soap and water. Avoid spraying with Cleansers, Insecticides, and Pesticides that a petroleum based hydrocarbon products. These will degrade Luminaire.

CAUTION: Do not turn on without diffuser installed. Do not touch LEDs or circuit board. LED optics could be damaged. No lamp replacement required! Integral LED light engine supplied. Do not remove protective cover from LED light engine.



Clean only with mild soap and water. Avoid spraying with Cleansers, Insecticides, and Pesticides that a petroleum based hydrocarbon products. These will degrade Luminaire.

CAUTION: Do not turn on without diffuser installed. Do not touch LEDs or circuit board. LED optics could be damaged. No lamp replacement required! Integral LED light engine supplied. Do not remove protective cover from LED light engine.
