

COMPOSITE

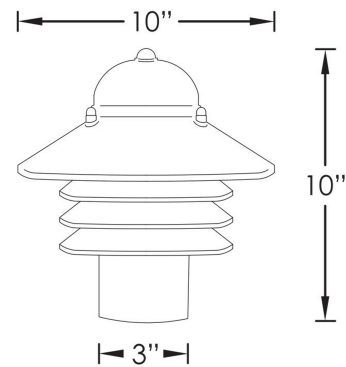
Nautical Series 842

DESCRIPTION

Illuminate your walkways and yard with the 842 Nautical Outdoor Pier/Post Top Light. It is also available with an optional pier mount. The fixture is constructed from a non-corrosive, UV-resistant plastic material with a non-rusting and anti-chipping white or black finish for long-lasting good looks.

FEATURES

- Non-corrosive, Anti-chip Composite Housing
- UV resistant for outdoor installation
- Black or White Anti-rust Finish for Long Life
- Clear Prismatic Acrylic Lens
- UL Listed for Wet Location
- Available in Integrated LED or E26 Medium Socket (LED A19 Ready)
- Fits on most 3" Diameter Post (Not Included)
- 120V 50/60Hz
- Buy American Act Compliant
- LED Models are TriacDimmable
- Warranty (5-Year LED) (3-Year Medium Base)
- LED Models 50,000hr L₇₀



WATTAGE/LUMENS

E26 Medium Base LED A19 Ready

- E26 Medium Base
 - LED A19 Ready
 - Incandescent (60W Max) (Bulb Not Included)

120V Integrated LED Systems

- 13W Integrated LED (*Dimmable*)
 - (3000K - 1140lm)
 - (4000K - 1280lm)

ORDERING GUIDE (Sample: 84255-13LED-120-30K)

Family	Lens Color	BASE COLOR	Wattage	CCT	Options
842	5 - Clear Prismatic	1 - White	E26 - Medium Base	-	PCAS - Photocell Blk Adapter PMB - Black Pier Mount
		5 - Black	13LED-120 - 13 Watt	30K - 3000K 40K - 4000K	

Specifications subject to change without notice

FEATURES



OPTIONS



PROJECT: _____

SCHEDULE: _____ DATE: _____

PREPARED BY: _____

NOTES: _____