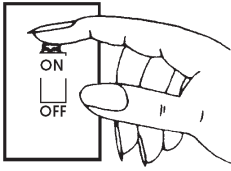


INSTALLATION INSTRUCTIONS

READ IMPORTANT SAFETY TIPS BEFORE PROCEEDING WITH INSTALLATION

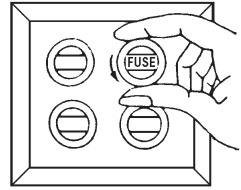
SAFETY TIPS



Turn fixture off! (Place wall switch in off position, if fixture has built-in switch or chain pull, switch or pull chain so fixture is off.)

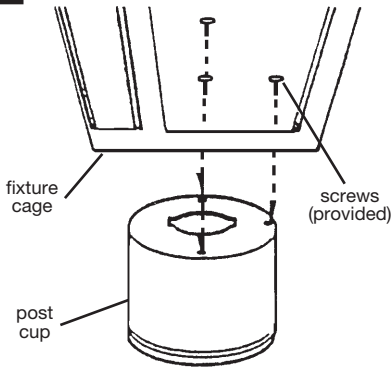


Next - go to the main fuse box. If your fuse box has an ON/OFF switch, simply place main power switch in OFF position



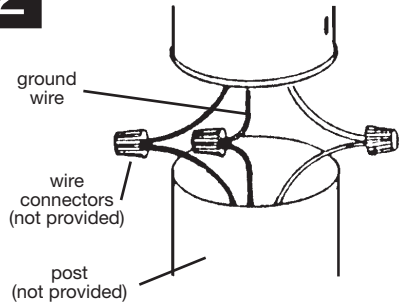
Screw-in type fuses - unscrew the fuse or fuses that control the power to the fixture or room you are working in.

1



FASTEN THE CAGE to the post cup with the 3 screws provided.

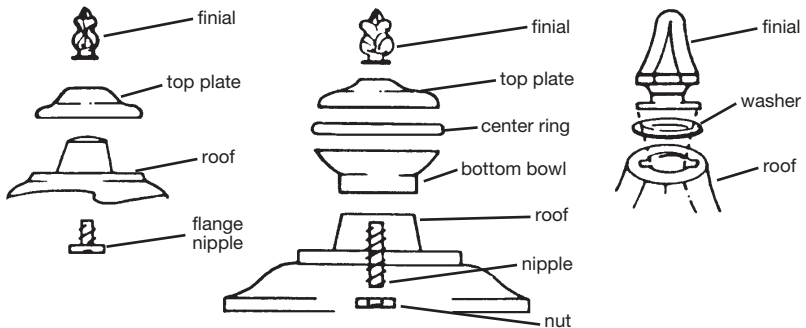
2



CONNECT THE WIRES. NOTE: Attach black fixture wire to black supply wire, white fixture wire to white supply wire. Do not mix them up. Use approved electrical tape or wire connectors (not provided). Connect bare fixture ground wire to ground wire from outlet box. NEVER CONNECT GROUND WIRE TO BLACK OR WHITE POWER SUPPLY WIRES.

3

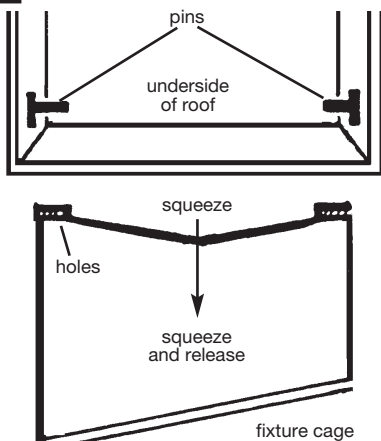
FASTEN DECORATIVE TOPS to roof as shown in illustrations below which pertain to style lantern you have purchased. Thread flange nipple or nipple into finial from inside of roof as shown.



INSTALLATION INSTRUCTIONS

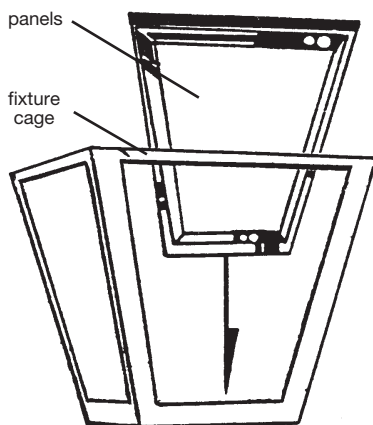
(CONTINUED FROM OTHER SIDE)

4



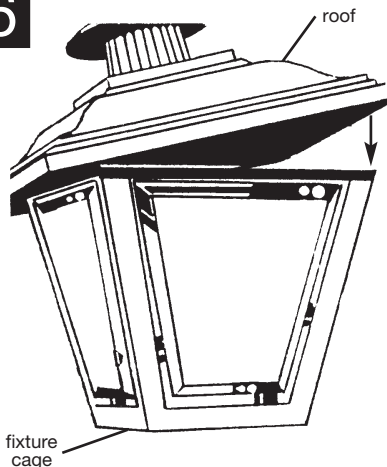
ATTACH FIXTURE ROOF TO FIXTURE HOUSING. Squeeze cage as shown. Position holes on side of cage over corresponding pins on underside of roof. Release cage - pins will snap into position.

5



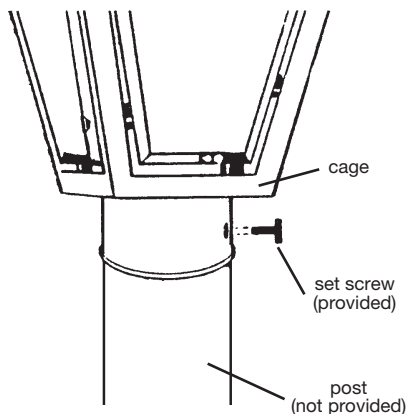
BEFORE SNAPPING HOUSING SHUT, install plastic panels, textured or beveled side out, by sliding panels down cage in slots on inside of cage. Make sure panels are all the way down into seats in cage

6



SCREW LIGHT BULB INTO SOCKET. Be sure to use bulb with wattage no greater than specified for this fixture. Lower roof and snap into place.

7



POSITION THE FIXTURE over the post as shown. For permanent mounting, fasten with set screw at hole in post collar by drilling hole at same location through post and securing with screw .



Clean only with mild soap and water. Avoid spraying with cleansers, insecticides, and pesticides that are petroleum based hydrocarbon products. These will degrade luminaire.