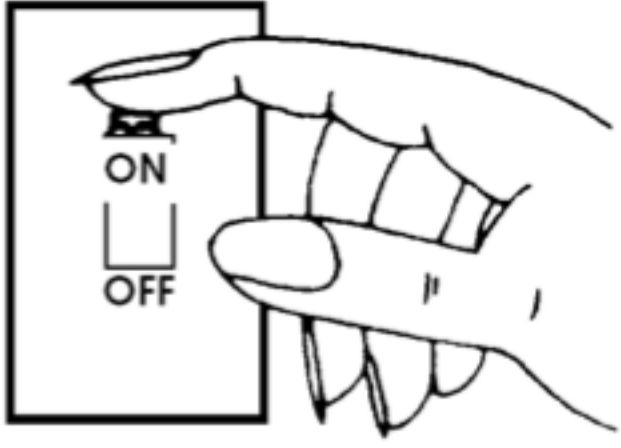


INSTALLATION INSTRUCTIONS

READ IMPORTANT SAFETY TIPS BEFORE PROCEEDING WITH INSTALLATION

SAFETY TIPS

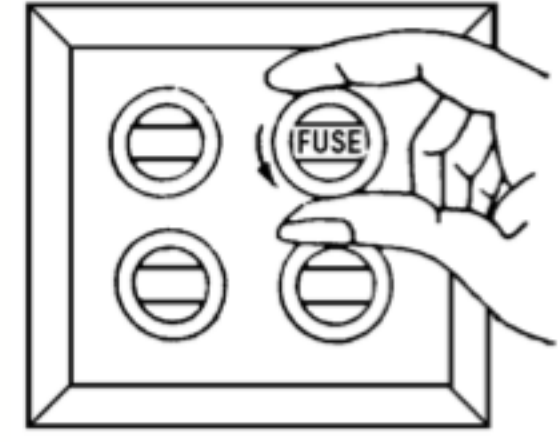


Turn fixture off! (Place wall switch in off position, if fixture has built-in switch or chain pull, switch or pull chain so fixture is off.)



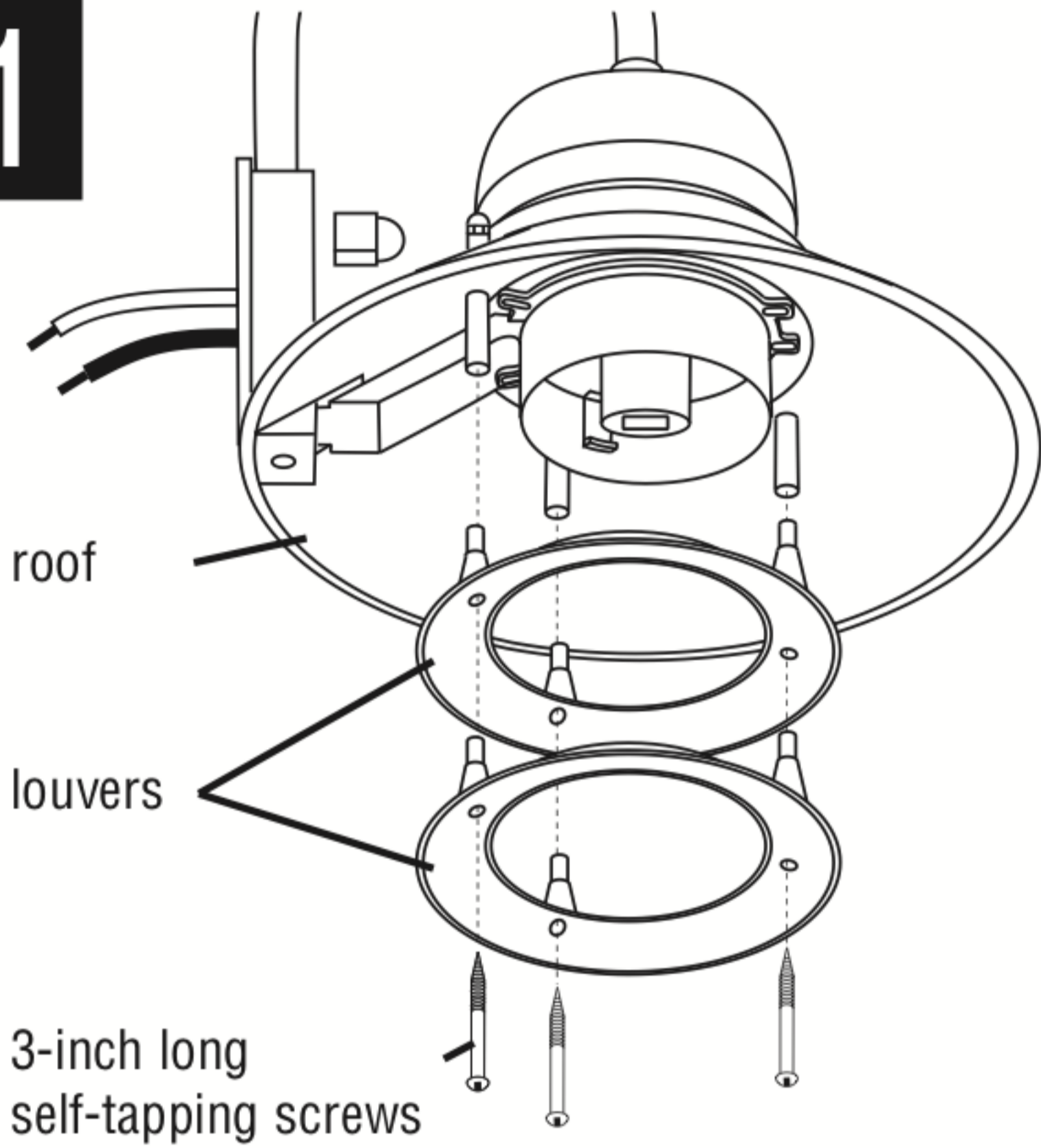
Next - go to the main fuse box. If your fuse box has an ON/OFF switch, simply place main power switch in OFF position.

OR



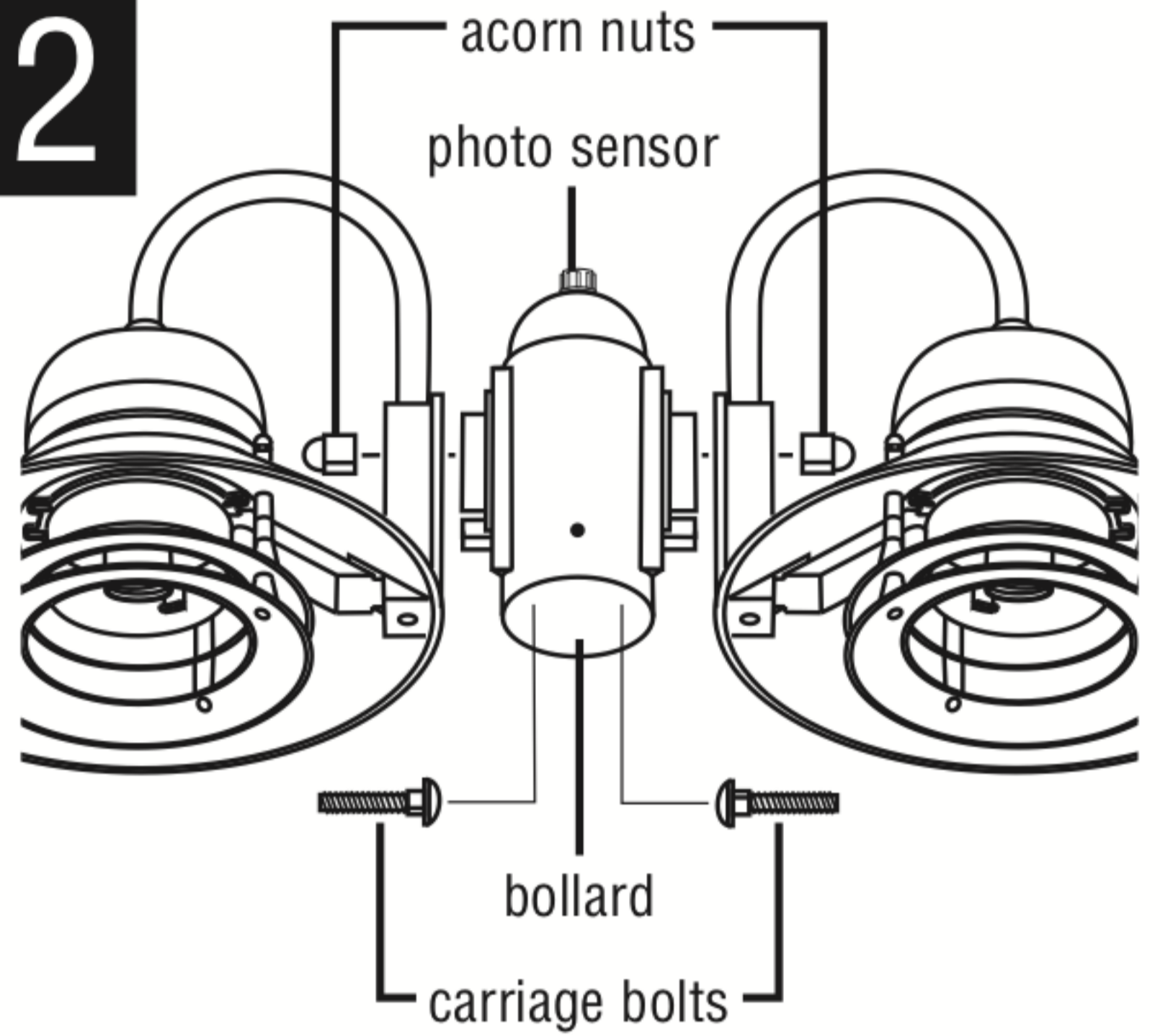
Screw-in type fuses - unscrew the fuse or fuses that control the power to the fixture or room you are working in.

1



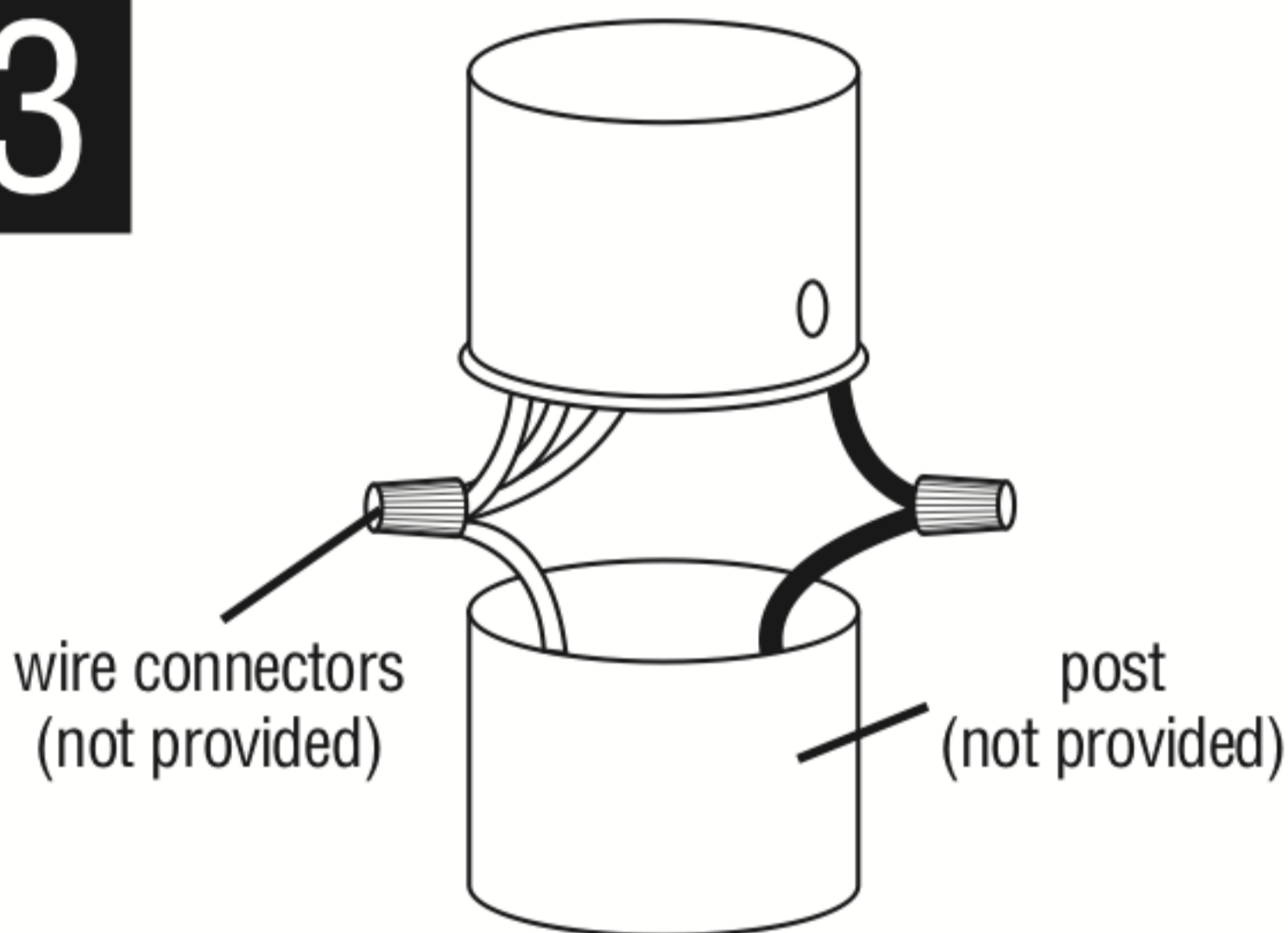
Attach louvers to roof as shown.

2



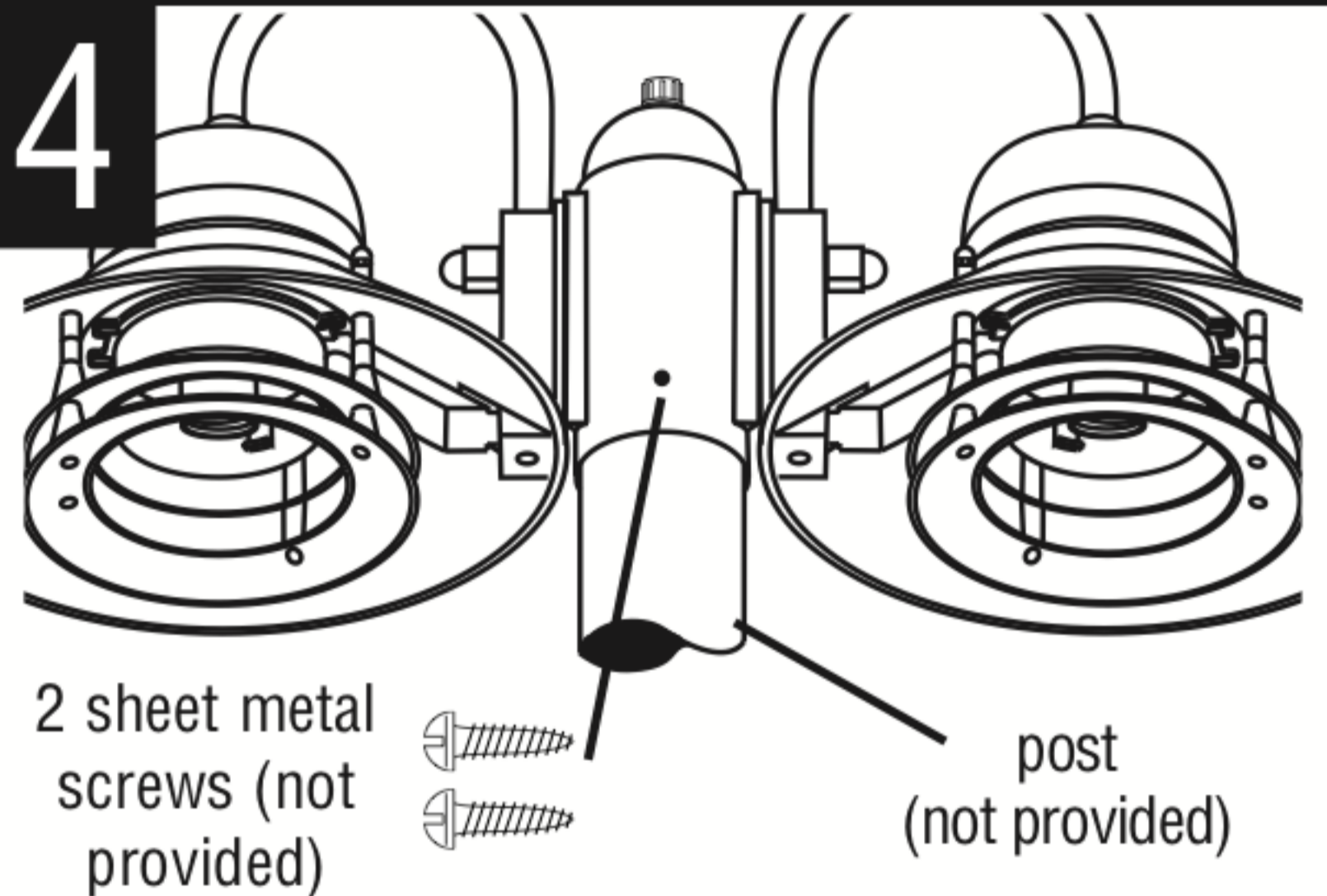
Attach each assembly from Figure 1 to bollard base with carriage bolt, and plastic acorn nut.

3



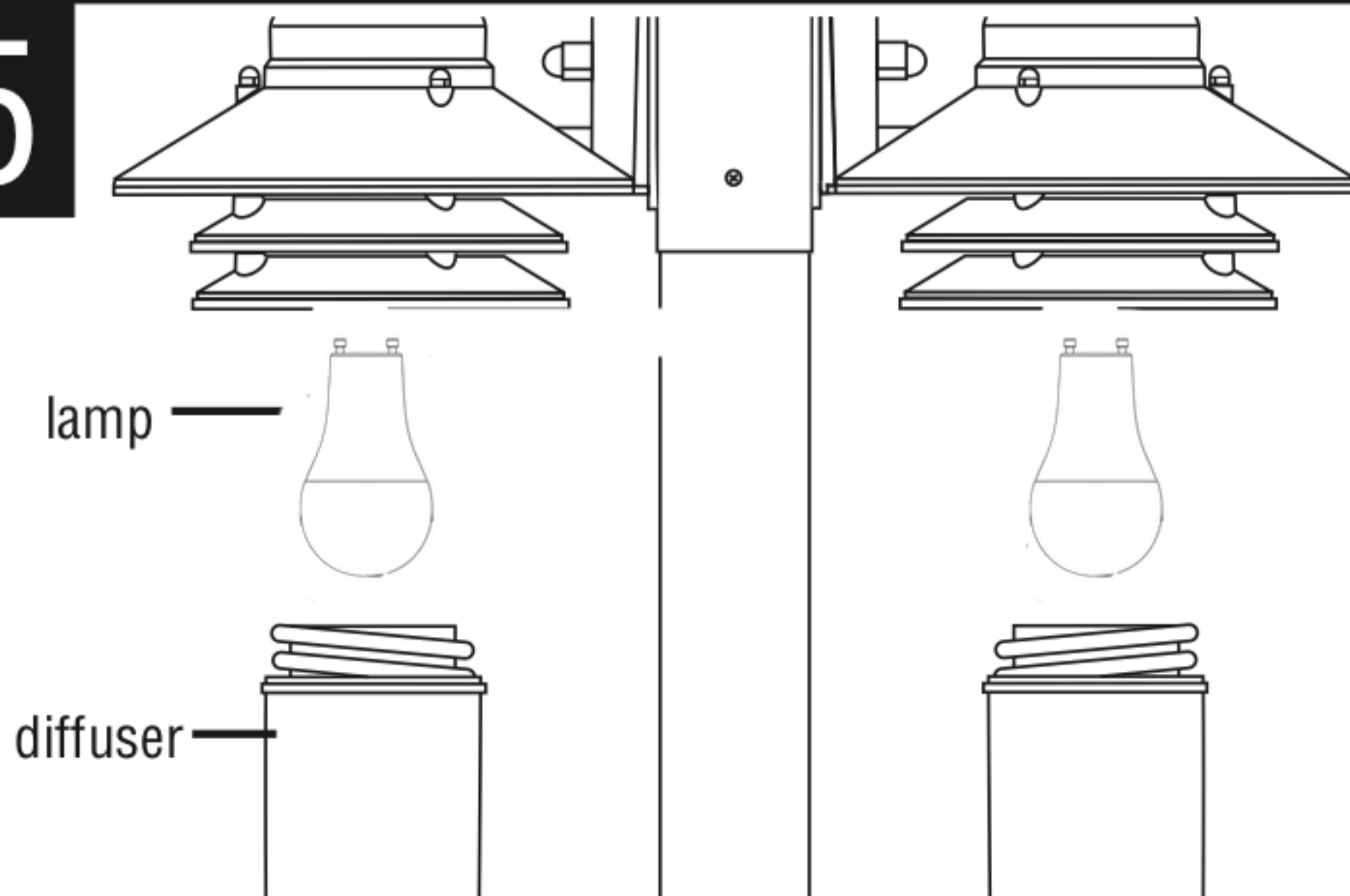
Connect the wires. Note: Attach black fixture wire to black supply wire, white fixture wires to white supply wire. Do not mix them up. Use wire connectors (not provided).

4



Position the fixture over the post as shown. Fasten with screws at holes in post collar by drilling holes at same location through the post and securing with screws.

5



Install MAX 11W GU24 LED

. Grasp the plastic base, insert pins into the socket and rotate lamp clockwise until secure.