

Features

- Black Composite Housing
- Chip and Fade Resistant Construction
- Clear Prism or White Smooth Acrylic Diffuser
- UL Listed for Wet Locations
- LED A19 Ready (*Bulb Not Included*)
- Made in America Compliant

Applications

- Post Mount Only
- Outside Use Only

Wattage/Lumens

E26 Medium Base Systems (LED A19 Ready)

- Medium E26 Base (*100W Max*) (*Bulb Not Included*)

Warranty

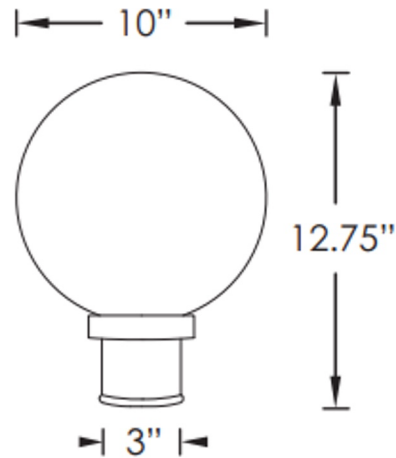
- 3-Year Medium Base



Options

Post Not Included

Dimensions



ORDERING GUIDE

Example: 85315-E26

Family	Lens Color	Base Color	Wattage	CCT	Options
853	1 - White 9 - Clear Prism	5 - Black	E26 - Medium Base		
		Special Finishes** 1 - White ^{IV}			