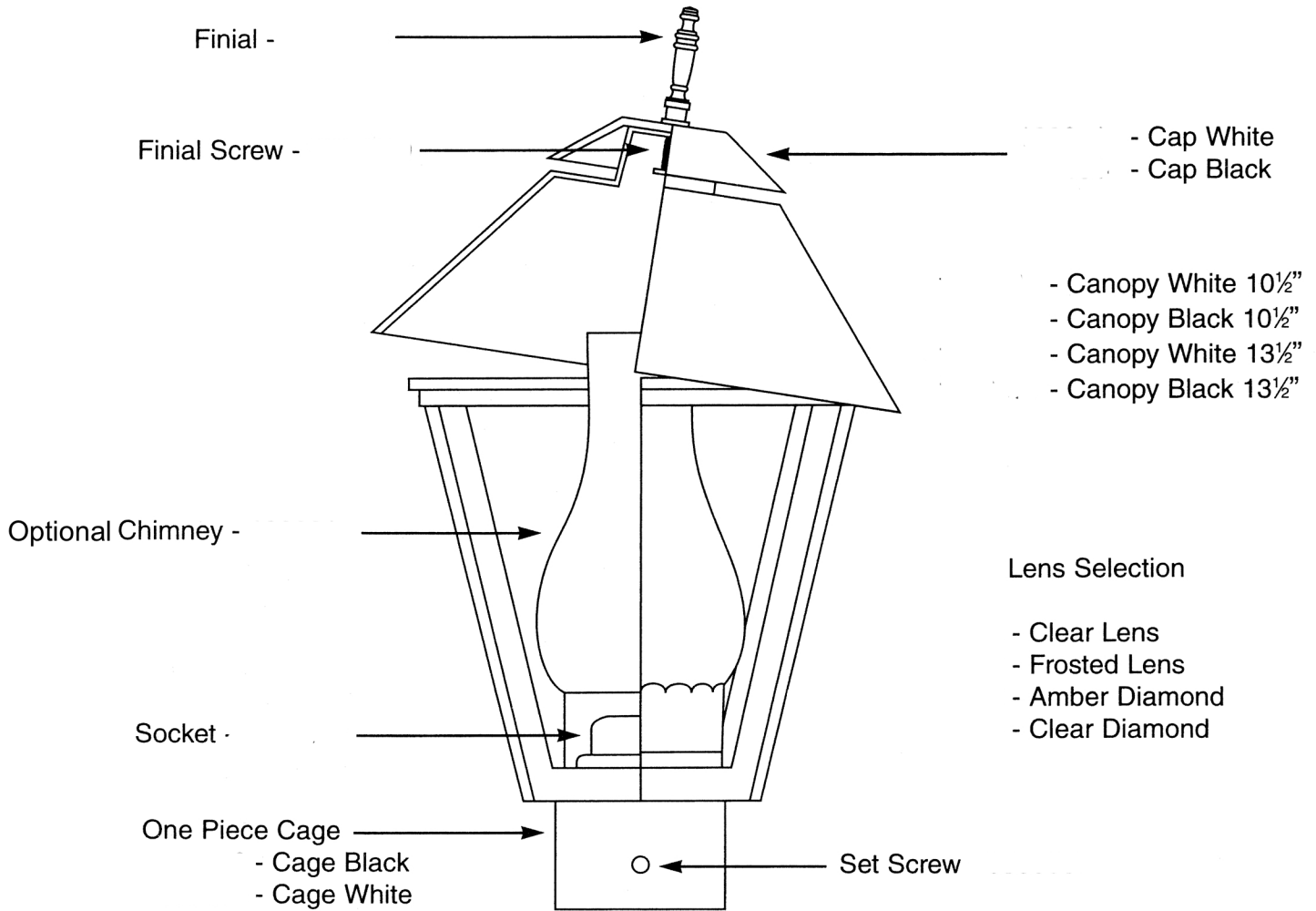
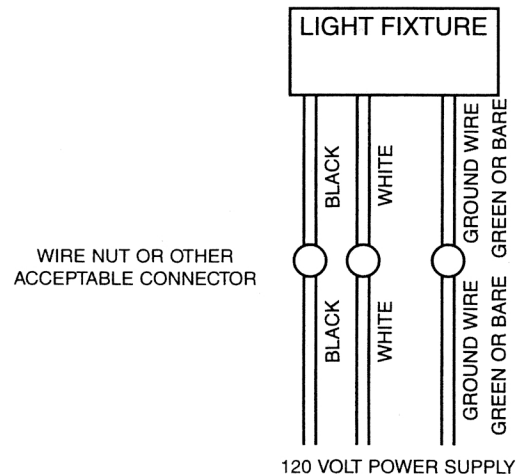


Colonial Post Light Instructions



1. Open latch and hinge back canopy. Take the cap and the hardware bag from the box. Insert the finial screw (0500009) through the top of the canopy, place the cap over the screw and tighten the assembly with the finial (0500010).
2. Discard the stuffer used to hold the chimney during shipping and remove the chimney (some models). Connect the fixture wires to the power supply as shown in the diagram.
3. Place the lantern on top of the post and press into position. When in position, tighten the set screw (0500030).
DO NOT OVER TIGHTEN.
4. Carefully install the recommended maximum wattage bulb into the lantern socket and replace the glass chimney if applicable.
5. Close the canopy assembly on top of the lantern making sure latch is secure.



ALWAYS CONNECT BLACK TO BLACK, WHITE TO WHITE, AND BARE OR GREEN GROUNDING CONDUCTORS

855-854 Models