

COMPOSITE

Johnston Series 860

DESCRIPTION

Illuminate your walkways and yard with the 860 Johnston Outdoor Pier/Post Top Light. It is also available with an optional pier mount. The fixture is constructed from a non-corrosive, UV-resistant plastic material with a non-rusting and anti-chipping white or black finish for long-lasting good looks.

FEATURES

- Non-corrosive, Anti-chip Composite Housing
- UV resistant for outdoor installation
- Black or White Anti-rust Finish for Long Life
- Clear Beveled Acrylic Lens
- UL Listed for Wet Location
- Available in Integrated LED or E26 Medium Socket (LED E26 Ready)
- Fits on most 3" Diameter Post (Not Included)
- 120V 50/60Hz
- Buy American Act Compliant
- LED Models are Triac Dimmable
- Warranty (5-Year LED) (3-Year Medium Base)
- LED Models 50,000hr L₇₀

PROJECT:

SCHEDULE:

DATE:

PREPARED BY:

NOTES:



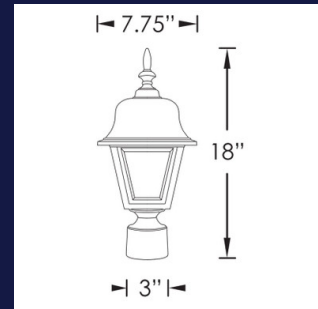
WATTAGE/LUMENS

E26 Medium Base LED A19 Ready

- E26 Medium Base
 - LED A19 Ready
 - Incandescent (60W Max) (Bulb Not Included)

120V Integrated LED Systems

- 13W Integrated LED (Dimmable)
 - (3000K - 1140lm)
 - (4000K - 1280lm)



ORDERING GUIDE (Sample: 84295-13LED-120-30K)

Family	Lens Color	BASE COLOR	Wattage	CCT	Options
860	9 - Clear	1 - White	E26 - Medium Base	-	PCA5 - Photocell Blk Pole Adapter PMB - Black Pier Mount
		5 - Black	13LED-120 - 13 Watt	30K - 3000K 40K - 4000K	

Specifications subject to change without notice

FEATURES



Additional Notes