

SELECT

Brando Series 873G2

DESCRIPTION

Incon 873G2 Type III Acorn Street Light is a commercial grade post top lighting fixture engineered for forward throw performance where light is needed most. Featuring a Type III (T3) light distribution, this acorn style fixture directs illumination outward and along streets, pathways, and parking areas, improving visibility while minimizing wasted light. Built with a durable die cast aluminum housing and a clear acorn globe, the 873G2 combines classic design with modern functionality, making it an ideal solution for commercial, municipal, and HOA outdoor lighting applications.

FEATURES

- Clear T3 Acrylic Acorn Diffuser
- Decorative Black Die Cast Aluminum Housing
- Fits Standard 3" OD Poles
- Wet Location Ready
- Buy American Act Compliant
- Available With a House Shield
- E26 and E39 Socket Included
- 3 Year Warranty

WATTAGE/LUMENS

E26 Medium Base

- E26 Medium Base (*Lamp Sold Separately*)

E39 Mogul Base

- E39 Mogul Base (*Lamp Sold Separately*)

ORDERING GUIDE (Sample: 873G295)

Family	Lens Color	BASE COLOR	Wattage	CCT	Options
873G2	9 - Clear	5 - Black	Leave Blank - E26-E39 (Med & Mogul Base)	-	HS - 180° House Shield

Specifications subject to change without notice

FEATURES



BAA Compliant

sales@inconlighting.com Ph. 407-323-5630 Rev 04/26
www.inconlighting.com/873G2

PROJECT:

SCHEDULE:

DATE:

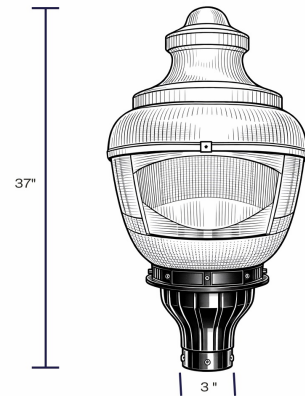
PREPARED BY:

NOTES:



FORWARD-THROW PATTERN

TYPE III



ADDITIONAL NOTES