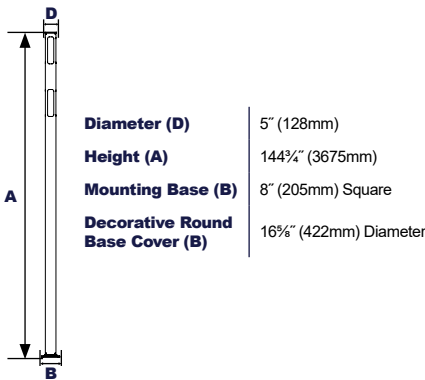




Dimensions



Project Information:

Project Name:	Fixture Type:
Complete Catalog #:	Date:
Comments:	

Specifications and Features:

Housing:

Extruded 12-foot Aluminum Housing with Flat Top and Die Cast Mounting Base. Includes PBR1 Decorative Clamshell Base Cover with Stainless Steel Hardware.

Listing & Ratings:

ETL: Listed for Wet Locations, ANSI/UL 1598, 8750
IP66 Sealed LED Compartment.

Finish:

Textured Architectural Black or Platinum Powdercoat Finish Over a Chromate Conversion Coating.

Lens:

SoftLED LumaLens Opal UV-Stabilized Polycarbonate Vandal-Resistant Lens

Mounting Options:

Mounts with Four M18 x 15" Anchor Bolts, Included.

AmberLED:

Aluminum Boards

Wattage:

39w Array: 23w, System: 42.6w

Driver:

Electronic Driver, 120-277V, 50/60Hz; Less Than 20% THD and PF>0.90. Standard Internal Surge Protection 2kV. 0-10V Dimming Standard for a Dimming Range of 100% to 10%; Dimming Source Current is 150 Microamps.

Warranty:

5-Year Warranty for -40°C to +50°C Environment.

See Page 3 for Projected Lumen Maintenance Table.

Certification & Listings:



Ordering Guide:

9009AM	F	1X39	U	AM	L			
Model	Optics	Wattage	Driver	CCT	Lens	Color	Height	Options
9009AM=AmberLED Cypress 8T Contemporary Light Column	F=Type V	1X39=39w	U=120-277V	AM=1400K	L=SoftLED LumaLens Opal UV-Stabilized Polycarbonate Lens	B=Black P=Platinum	(Leave Blank)= 12' Standard Height 60=60" C=Custom Height of Less Than 8' (Consult Factory)	SF=Single Fuse* DF=Double Fuse* SP=Surge Protection LBC=Less Base Cover **120-277V Model Only

Order Information Example: 9009AMF1X39UAMLPLBC

Accessories & Replacement Parts:

**Replacement Parts
(Order Separately, Field Installed)**

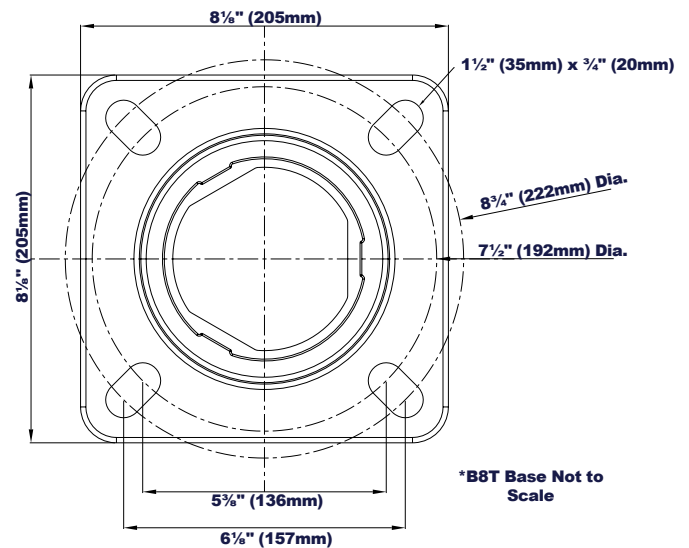
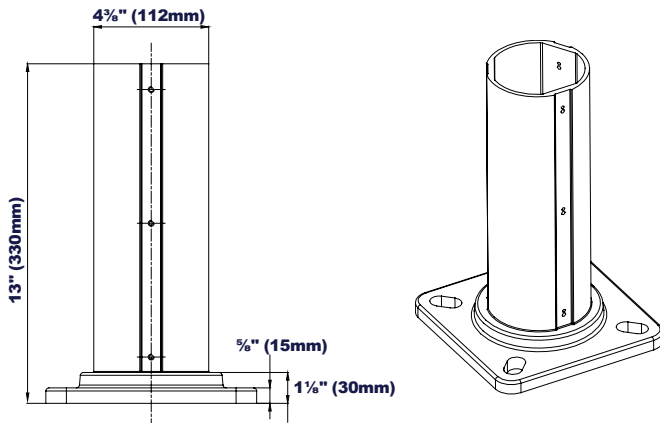
PBR1* Decorative Clamshell Base Cover, 16 1/2" Diameter, Powdercoat Finish

*Specify Color: B=Black, P=Platinum



PBR1*
*Shown Mounted

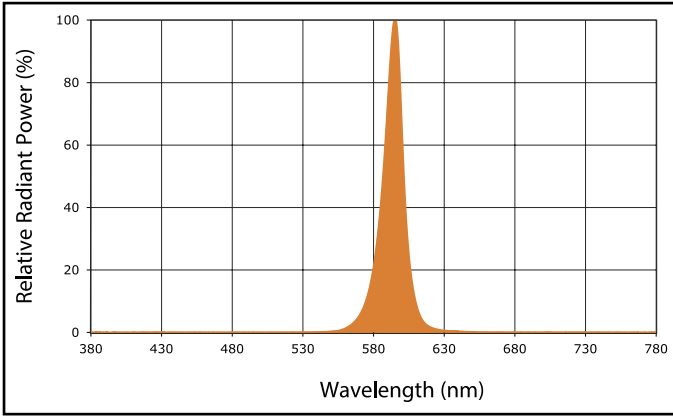
Base Information:



Shaft Base Size	Bolt Circle A	Base Size B	Anchor Bolt Size
B8T	Min 7.5" (192mm); Max 8.75" (222mm)	8.125" x 8.125"	M18 x 15"



Spectral Chart



Photometric Performance

Wattage (Catalog Logic)		39W (1X39)
Input Watts		42.6W
Optic	CCT	Delivered Lumens
AmberLED B8T Type V Optic	Amber	1,516
	BUG Rating	B1-U5-G1

Projected Lumen Maintenance

Data shown for Amber LEDs	Input Watts	Compare to MH				Calculated LED Life
		Initial	25,000 Hrs	50,000 Hrs	100,000 Hrs	
TM-21-11						
L70 Lumen Maintenance @ 25°C / 77°F	All wattages up to and including 39w	1.00	0.96	0.92	0.84	187,000
L70 Lumen Maintenance @ 50°C / 122°F		1.00	0.94	0.89	0.78	136,000
L80 Lumen Maintenance @ 40°C / 104°F		1.00	0.95	0.91	0.81	106,000

NOTES:

1. Projected per IESNA TM-21-11. Data references the extrapolated performance projections for the base model in a 25°C ambient, based on 10,000 hours of LED testing per IESNA LM-80-08.
2. Compare to MH box indicates suggested Light Loss Factor (LLF) to be used when comparing to Metal Halide (MH) systems.