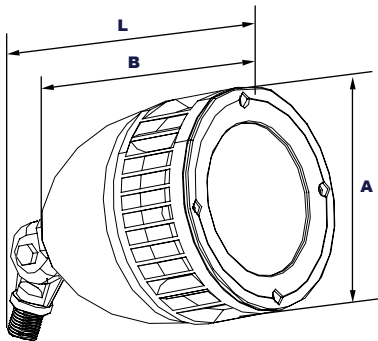




Dimensions



| | |
|------------------------------|-------------|
| Length (B) | 6¼" (160mm) |
| Length with Mount (L) | 9¼" (235mm) |
| Diameter (A) | 5¾" (146mm) |

Project Information:

| | |
|----------------------------------|----------------------------|
| Project Name: _____ | Fixture Type: _____ |
| Complete Catalog #: _____ | Date: _____ |
| Comments: _____ | |

The Incon 9036AM AmberLED Bullet Flood Light provides up or down lighting with wide distribution designed for wildlife, dark skies, or security applications requiring monochromatic AMBER light. LEDs operate between 585 and 595nm, greater than 560nm required for wildlife protection. Typical wall mounted lighting applications include retail centers, hotels, multi-unit housing, industrial parks, schools and universities, public transit and airports, office buildings and medical facilities. Mounting heights of up to 12 feet can be used based on light level and uniformity requirements.

Specifications and Features:

Housing:

Die-Cast Gasketed Aluminum Housing and Front Frame with Integral Heat-Dissipating Fins for Thermal Management. Nickel-Plated Stainless Steel Hardware.

Listing & Ratings:

ETL: Listed for Wet Locations, ANSI/UL 1598, 8750
IP66 Sealed LED Compartment.

Finish:

Textured Architectural Bronze Powdercoat Finish Over a Chromate Conversion Coating. Custom Colors Available Upon Request.

Lens:

Tempered Clear Flat Glass Lens.

Mounting Options:

Adjustable Knuckle with ½" NPS Threads.

AmberLED:

Aluminum Boards

Wattage:

AmberLED Array: 17w, System 21w

Driver:

Electronic Driver, 120-277V, 50/60Hz; Less Than 20% THD and PF>0.90. Standard Internal Surge Protection 2kV. 0-10V Dimming Standard for a Dimming Range of 100% to 10%; Dimming Source Current is 150 Microamps.

Warranty:

5-Year Warranty for -40°C to +50°C Environment.

Certification & Listings:



Ordering Guide:

| 9036AM | B | 1X17 | U | AM | | KN | |
|--------------------------------|-------------------|-------------|------------|-----------|----------------------------------------|-------------------|-------------------------------------------------------------------------------------|
| Model | Optics | Wattage | Driver | CCT | Color | Mounting | Options |
| 9036AM=Canvas Amber LED Bullet | B=Wide, 100° Beam | 1X17=17w | U=120-277V | AM=1400K | Z=Bronze C=Custom (Consult Factory) | KN=½" NPS Knuckle | SF=Single Fuse* DF=Double Fuse* SP=Surge Protection *120-277V Models Only. |

Order Information Example: 9036AMB1X17UAMZKNSP

Accessories & Replacement Parts:

Mounting Accessories (Order Separately, Field Installed)

| | |
|--------|---------------------------------------------------------------------------------------------------|
| FLPTFZ | Die-cast Post Top Fitter for 2½" to 3½" Poles, Bronze Powdercoat Finish, Three (3) ½" Coin Plugs. |
| FLSTK | Heavy Duty Ground Stake, Built-in Wiring Compartment with ½" NPS Threaded Fitting, Black Plastic. |



Accessories (Order Separately, Field Installed)

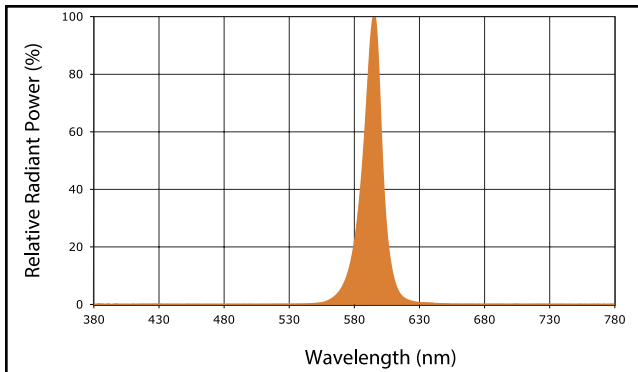
| | |
|-------|-----------------------------------------------------|
| FB1VZ | Die-Cast Rotatable Visor, Bronze Powdercoat Finish. |
|-------|-----------------------------------------------------|



FB1VZ*

*Shown Mounted

Spectral Chart



Distributions

| LED Board Watts | Input Watts | Optic | Beam |
|-----------------|-------------|-------|-----------------------------|
| AmberLED 17w | 21 | B | 100°H x 100°V, NEMA 6H x 6V |