

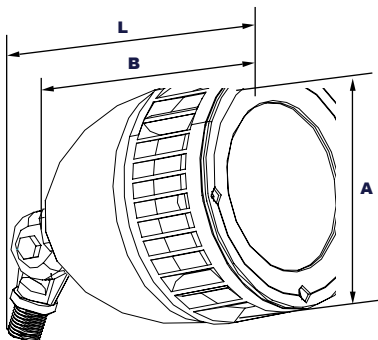


Shown with "B"
100° Wide Optic
Installed.



Shown with "D"
30° Narrow Optic
Installed.

Dimensions



Length (B)	6¼" (160mm)
Length with Mount (L)	9¼" (235mm)
Diameter (A)	5¼" (146mm)

Project Information:

Project Name:	Fixture Type:
Complete Catalog #:	Date:
Comments:	

The Incon 9037C3 ColorLED Canvas C static color flood light luminaire is available with a knuckle mounting feature with narrow, medium and wide distributions designed to provide accent colored light using Blue, Green, or Red COB LEDs. Typical lighting applications include retail centers, industrial parks, schools and universities, public transit and airports, office buildings and medical facilities. Mounting can be accomplished using ground attachment accessories and up to heights of 12 feet based on light level and uniformity requirements.

Specifications and Features:

Housing:

Die-Cast Gasketed Aluminum Housing and Front Frame with Integral Heat-Dissipating Fins for Thermal Management. Nickel-Plated Stainless Steel Hardware.

Listing & Ratings:

ETL: Listed for Wet Locations, ANSI/UL 1598, 8750
IP66 Sealed LED Compartment.

Finish:

Textured Architectural Bronze Powdercoat Finish Over a Chromate Conversion Coating. Custom Colors Available Upon Request.

Lens:

Tempered Clear Flat Glass Lens.

Mounting Options:

Adjustable Knuckle with ½" NPS Threads.

COB LED:

ColorLED COB

Wattage:

20w COB: 20w, System: 21w; (100w HID Equivalent)

Driver:

Electronic Driver, 120-277V, 50/60Hz; Less Than 20% THD and PF>0.90. Standard Internal Surge Protection 2kV. 0-10V Dimming Standard for a Dimming Range of 100% to 10%; Dimming Source Current is 150 Microamps.

Warranty:

5-Year Warranty for -40°C to +50°C Environment.

Certification & Listings:



Ordering Guide:

9037C3		1X20	U			KN	
Model	Optics	Wattage	Driver	CCT	Color	Mounting	Options
9037C3=Canvas C ColorLED Bullet Flood Light	AC3= Medium, NEMA 6H x 6V BC3=Wide, NEMA 6H x 6V DC3=Narrow, NEMA 4H x 4V *See Page 2 for Distribution Information.	1X20=20w	U=120-277V	BL=Blue GR=Green RD=Red	Z=Bronze C=Custom (Consult Factory)	KN=½" NPS Knuckle	SF=Single Fuse* DF=Double Fuse* SP=Surge Protection *120-277V Models Only.

Order Information Example: 9037C3BC31X20UBLKZKNSP

Accessories & Replacement Parts:

Mounting Accessories (Order Separately, Field Installed)	
FLPTFZ	Die-cast Post Top Fitter for 2½" to 3½" Poles, Bronze Powdercoat Finish, Three (3) ½" Coin Plugs.
FLSTK	Heavy Duty Ground Stake, Built-in Wiring Compartment with ½" NPS Threaded Fitting, Black Plastic.

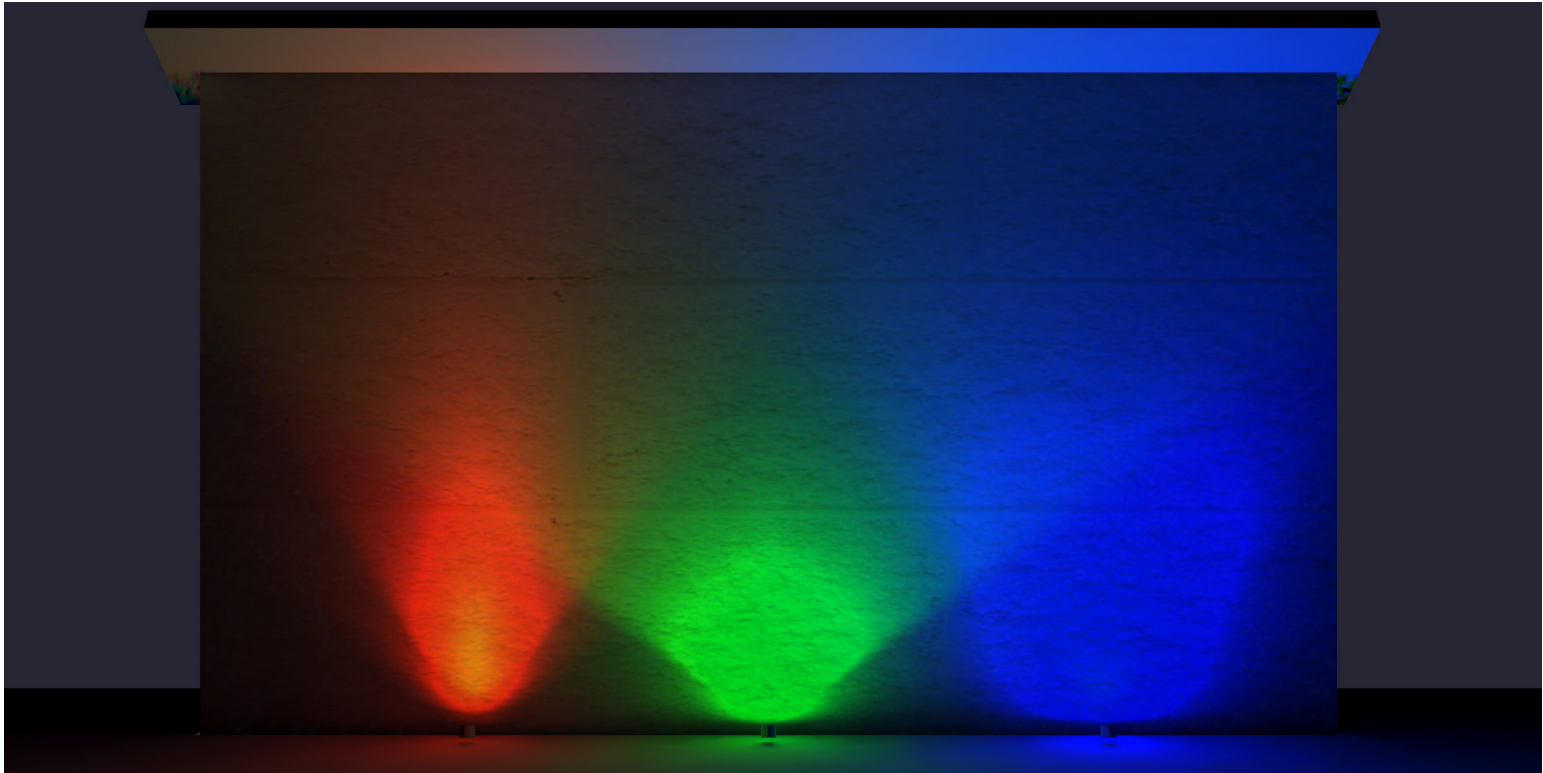


Accessories (Order Separately, Field Installed)	
9037C3VZ	Die-Cast Rotatable Visor, Bronze Powdercoat Finish.



9037C3VZ*
*Shown Mounted

Distributions



Narrow "D" Optic

Medium "A" Optic

Wide "B" Optic

LED COB Watts	Input Watts	Optic	Beam
COB LED 21w	21	A	70°, Medium Optic 70°H x 70°V, NEMA 6H x 6V
		B	100°, Wide Optic 100°H x 100°V, NEMA 6H x 6V
		D	30°, Narrow Optic 25°H x 25°V, NEMA 4H x 4V