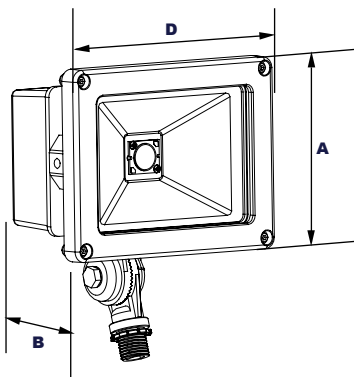




### Dimensions



<b>Width (D)</b>	6 1/4" (172mm)
<b>Length (B)</b>	4 3/8" (113mm)
<b>Height (A)</b>	5 1/4" (133mm)

### Project Information:

<b>Project Name:</b>	<b>Fixture Type:</b>
<b>Complete Catalog #:</b>	<b>Date:</b>
<b>Comments:</b>	

The Incon 9038C3 ColorLED Canvas CS static color flood light luminaire is available with a knuckle mounting feature and is designed to provide accent colored light using Blue, Green, or Red COB LEDs. Typical lighting applications include retail centers, industrial parks, schools and universities, public transit and airports, office buildings and medical facilities. Mounting can be accomplished using ground attachment accessories and up to heights of 12 feet based on light level and uniformity requirements.

### Specifications and Features:

#### Housing:

Die Cast Aluminum Housing and Front Frame with Separate Ballast Compartment. Integral Heat-Dissipating Fins for Thermal Management. 1/2" Threaded Aperture with Liquid-Tight Connector.

#### Listing & Ratings:

ETL: Listed for Wet Locations, ANSI/UL 1598, 8750; IP66 Sealed LED Compartment.

#### Finish:

Textured Architectural Bronze Powdercoat Finish Over a Chromate Conversion Coating. Custom Colors Available Upon Request.

#### Lens:

Clear Flat Glass Lens.

#### Mounting Options:

Adjustable Knuckle with 1/2" NPS Threads.

#### COB LED:

ColorLED COB

#### Wattage:

COB 20w, System: 21w; (100w HID Equivalent)

#### Driver:

Electronic Driver, 120-277V, 50/60Hz; Less Than 20% THD and PF>0.90. Standard Internal Surge Protection 2kV. 0-10V Dimming Standard for a Dimming Range of 100% to 10%; Dimming Source Current is 150 Microamps.

#### Controls:

Fixtures Ordered with Factory-Installed Photocell or Motion Sensor Controls are Internally Wired for Switching and/or 1-10V Dimming Within the Housing. Remote Direct Wired Interface of 1-10V Dimming is Not Implied and May Not Be Available, Please Consult Factory. Fixtures are Tested with InCon Controls and May Not Function Properly With Controls Supplied By Others. Fixtures are NOT Designed for Use with Line Voltage Dimmers.

#### Warranty:

5-Year Warranty for -30°C to +50°C Environment.

### Certification & Listings:







### Ordering Guide:

<b>9038C3</b>	<b>1X20</b>	<b>U</b>			<b>K</b>	
Model	Wattage	Driver	CCT	Color	Mounting	Options
9038C3=Small Canvas CS ColorLED Flood Light	1X20=20w	U=120-277V	BL=Blue GR=Green RD=Red	Z=Bronze C=Custom (Consult Factory)	K=½" NPS Knuckle	P12=Pencil Photocell, 208-277VAC P14=Pencil Photocell, 120-277VAC P20=Swivel Photocell, 120VAC P22=Swivel Photocell, 208-277VAC

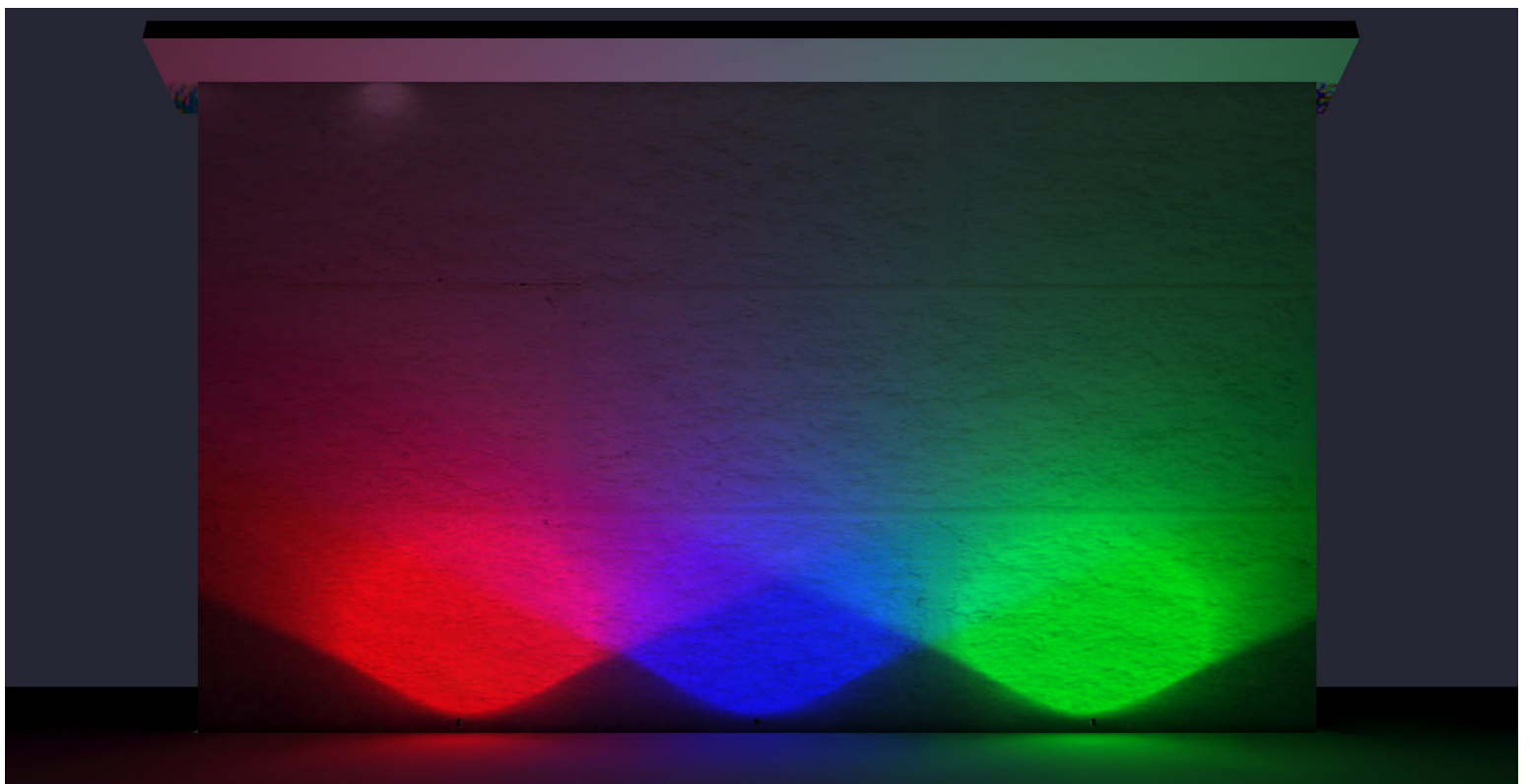
Order Information Example: 9038C31X20UBLZKP22

### Accessories & Replacement Parts:

Mounting Accessories (Order Separately, Field Installed)		Accessories (Order Separately, Field Installed)		Replacement Parts (Order Separately, Field Installed)	
FLPTFZ	Die-cast Post Top Fitter for 2¼" to 3½" Poles, Bronze Powdercoat Finish, Three (3) ½" Coin Plugs.	FL20GTFZ	Die Cast Top Frame with Aluminum Glare Shield, Bronze Powdercoat Finish.	P18112	208-277V, 240VAC Pencil Photocell
FLSTK	Heavy Duty Ground Stake, Built-in Wiring Compartment with ½" NPS Threaded Fitting, Black Plastic.			P18114	120-277V, 50/60Hz Pencil Photocell
				P18120	110-130V, 120VAC Swivel Photocell
				P18122	208-277V, 240VAC Swivel Photocell
<b>FLPTFZ</b>					
<b>FLSTK</b>					

\*Shown mounted.

### Distribution



Ground Mount Flood

LED COB Watts	Input Watts	Beam
COB LED 20w	21	115°H x 100°V, NEMA 7H x 6V