



The Incon 9068AM AmberLED Skylight 70RD Architectural Open Small Round Post Top is available in a Type V distribution with two lens designed to replace HID lighting systems up to 250w MH or HPS for wildlife, dark skies, or security applications requiring monochromatic AMBER light. LEDs operate between 585 and 595 nm, greater than 560nm required for wildlife protection. The fixture mounts to a pole top tenon. Typical area lighting applications include parking areas, walkways, and street lighting applications. Mounting heights of 12 to 20 feet can be used based on light level and uniformity requirements.

Specifications and Features:

Housing:

Die Cast Aluminum Housing, Integral Heat Sinking. Photocell Adaptable.

Listing & Ratings:

ETL: Listed for Wet Locations, ANSI/UL 1598, 8750; IP66 Sealed LED Compartment.

Finish:

Textured Architectural Bronze or Black Powdercoat Finish Over a Chromate Conversion Coating. Custom Colors Available Upon Request.

Lens:

Clear UV-Stabilized Polycarbonate or SoftLED LumaLens Opal UV-Stabilized Polycarbonate Vandal-Resistant Array Lens to Seal LED Array

Mounting Options:

Accommodates "P3" 2 7/8" O.D. x 3" Tenons

AmberLED:

Aluminum Boards

Wattage:

46w Array; 46w, System: 52w; (175w HID Equivalent)
78w Array; 77.6w, System: 82w; (150-250w HID Equivalent.)

Driver:

Electronic Driver, 120-277V, 50/60Hz; Less Than 20% THD and PF>0.90. Standard Internal Surge Protection 6kV. 0-10V Dimming Standard for a Dimming Range of 100% to 10%; Dimming Source Current is 150 Microamps.

Controls:

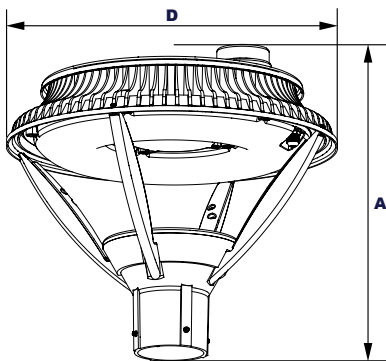
Fixtures Ordered with Factory-Installed Photocell or Motion Sensor Controls are Internally Wired for Switching and/or 1-10V Dimming Within the Housing. Remote Direct Wired Interface of 1-10V Dimming is Not Implied and May Not Be Available, Please Consult Factory. Fixtures are Tested with InCon Controls and May Not Function Properly With Controls Supplied By Others. Fixtures are NOT Designed for Use with Line Voltage Dimmers.

Warranty:

5-Year Warranty for -40°C to +50°C Environment.

See Page 3 for Projected Lumen Maintenance Table.

Dimensions



Diameter (D)	16 1/8" (411mm)
Height (A)	14 1/8" (378mm)

Project Information:

Project Name:	Fixture Type:
Complete Catalog #:	Date:
Comments:	

Certification & Listings:





Ordering Guide:

9068AM	F		U	AM			
Model	Optics	Wattage	Driver	CCT	Lens	Color	Options
9068AM =AmberLED Skylight 70RD Open Small Round Post Top	F =Type V	1X46 =46w 1X78 =78w	U =120-277V	AM =1400K	C =Clear UV-Stabilized Polycarbonate Array Lens L =SoftLED LumaLens Opal UV-Stabilized Polycarbonate Array Lens	Z =Bronze B =Black C =Custom (Consult Factory)	P2AB =PSRTN Tenon Adaptor, Black P2AC =PSRTN Tenon Adaptor, Custom Color (Consult Factory) SF =Single Fuse* DF =Double Fuse* SP =Surge Protection R3 =3-Pin Twist Lock Photocell Receptacle R5 =5-Pin Twist Lock Photocell Receptacle R7 =7-Pin ANSI C136.41—2013 Twist Lock Photocell Receptacle S2 =Microwave Sensor with Dimming for Mounting Heights of 8' to 40'* S4 =Microwave On/Off Motion Sensor for Mounting Heights of 8' to 19'* *120-277V Models Only.

Order Information Example: 9068AMF1X78UAMCBSP

Accessories & Replacement Parts:

Mounting Accessories (Order Separately, Field Installed)	
PSRTN*	Retrofit Tenon Adaptor, Die Cast with Powdercoat Finish, Hardware Included. Converts a 2 3/8" x 4" Pole Tenon to a 2 1/2" x 3" Tenon.
*Specify Color: B=Black, C=Custom (Consult Factory)	



PSRTN

Accessories (Order Separately, Field Installed)	
P18131	Twist Lock Non-Shorting (Open) Cap Disconnects Service to Fixture for Temporary or Permanent Disabling (Fixture Always Off). IP65, 480V Maximum.
P18132	Twist Lock Shorting Cap Provides Fixed Service to Fixture (Fixture Always on). IP65, Rated Load 7200w Tungsten.
P18140	110-120VAC Instant Twist Lock Photocell
P18152	277VAC Time Delay Twist Lock Photocell
P18156	120-277VAC Universal Twist Lock Photocell
P18157	480VAC Time Delay Twist Lock Photocell. For 480V use only.



P18131



P18132



P18140



P18152



**P18156,
P18157**

Replacement Parts (Order Separately, Field Installed)	
PF70ALL	SoftLED LumaLens Opal UV-Stabilized Polycarbonate Array Lens
P17117	Internal Microwave Sensor with Dimming for Mounting Heights of 8 to 40'. 120-277VAC, 50/60Hz
P17123	Internally Mounted Microwave On/Off Motion Sensor for Mounting Heights of 8' to 19', 120-277VAC, 50/60Hz



P17117



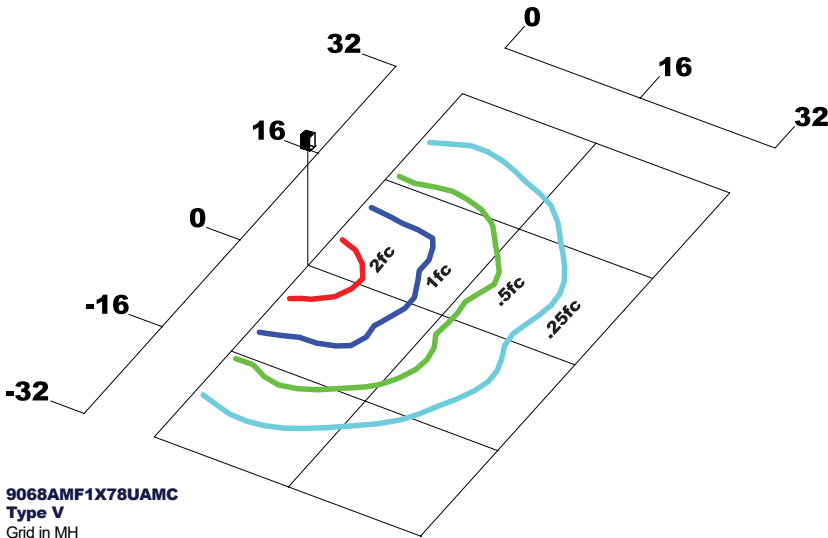
P17123

EPA (Effective Projected Area)

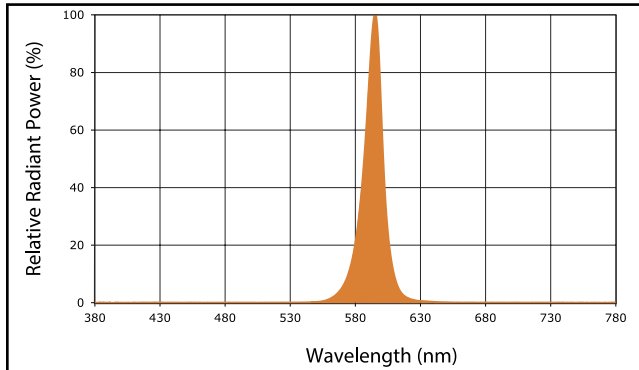
EPA (Sq. Ft.)	Weight (Lbs.)
0.48	14 Lbs



Photometric Data



Spectral Chart



Photometric Performance

LED Board Watts	Drive Current (mA)	Input Watts	Optics	Amber LEDs				
				Lumens	LPW	B	U	G
AmberLED 78w	525	82	Type V Clear	2,074	25	1	1	0

Projected Lumen Maintenance

Data shown for Amber LEDs	Input Watts	Compare to MH				Calculated LED Life
		Initial	25,000 Hrs	50,000 Hrs	100,000 Hrs	
L70 Lumen Maintenance @ 25°C / 77°F	82	1.00	0.98	0.97	0.94	473,000
L70 Lumen Maintenance @ 50°C / 122°F		1.00	0.97	0.95	0.90	290,000
L80 Lumen Maintenance @ 40°C / 104°F		1.00	0.98	0.95	0.91	220,000

NOTES:

1. Projected per IESNA TM-21-11. Data references the extrapolated performance projections for the base model in a 25°C ambient, based on 10,000 hours of LED testing per IESNA LM-80-08.
2. Compare to MH box indicates suggested Light Loss Factor (LLF) to be used when comparing to Metal Halide (MH) systems.