



Shown with "B" Wide Optic

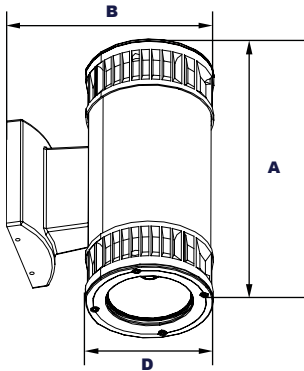


Shown with "A" Medium Optic



Shown with "D" Narrow Optic

Dimensions



Diameter (D)	5 3/4" (146mm)
Length (B)	8 7/8" (226mm)
Height (A)	12 1/2" (316mm)

Project Information:

Project Name:	Fixture Type:
Complete Catalog #:	Date:
Comments:	

The Incon 9081C3 ColorLED Argile WCTRD Up & Down Wall Cylinder static color architectural wall cylinder provides up AND down lighting with narrow, medium and wide distributions designed to provide accent colored light using Blue, Green, or Red COB LEDs. Typical wall mounted lighting applications include retail centers, industrial parks, schools and universities, public transit and airports, office buildings and medical facilities. Mounting heights of 8 to 16 feet can be used based on light level and uniformity requirements.

Specifications and Features:

Housing:

Extruded Round Aluminum Housing with Built-in Heat Sinks.

Listing & Ratings:

ETL: Listed for Wet Locations, ANSI/UL 1598, 8750; IP66 Sealed LED Compartment.

Finish:

Textured Architectural Bronze or Black Powdercoat Finish Over a Chromate Conversion Coating. Custom Colors Available Upon Request.

Lens:

Tempered Clear Flat Glass Lenses

Reflector:

Wide, Medium and Narrow Distributions

Mounting Options:

Mount Over a 4" Recessed Outlet Box.

COB LED:

ColorLED COB

Wattage:

COB: 40w, System: 40w; (100w HID Equivalent)

Driver:

Electronic Driver, 120-277V, 50/60Hz or 347-480V, 50/60Hz; Less Than 20% THD and PF>0.90. Standard Internal Surge Protection 6kV. 0-10V Dimming Standard for a Dimming Range of 100% to 10%; Dimming Source Current is 150 Microamps.

Controls:

Fixtures Ordered with Factory-Installed Photocell or Motion Sensor Controls are Internally Wired for Switching and/or 1-10V Dimming Within the Housing. Remote Direct Wired Interface of 1-10V Dimming is Not Implied and May Not Be Available, Please Consult Factory. Fixtures are Tested with InCon Controls and May Not Function Properly With Controls Supplied By Others. Fixtures are NOT Designed for Use with Line Voltage Dimmers.

Warranty:

5-Year Warranty for -40°C to +50°C Environment.

Shipped from Tampa location only.

Certification & Listings:



9081C3

INCON LIGHTING Argile WCTRD ColorLED Up & Down Wall Cylinder

BUY AMERICAN COMPLIANT

COLORLED **L70 25°** **89,000 Hours**

Ordering Guide:

Shipped from Tampa location only.

9081C3		C3	2X20				
Model	Optics	LED	Wattage	Driver	CCT	Color	Options
9081C3=ColorLED Argile WCTRD Up & Down Wall Cylinder	A =70° Up/70° Down B =100° Up/100° Down C =70° Up/100° Down D =30° Up/30° Down E =30° Up/100° Down F =30° Up/70° Down G =100° Up/30° Down H =100° Up/70° Down I =70° Up/30° Down	C3 =COB LED	2X20 =40w	U =120-277V H =347-480V	BL =Blue GR =Green RD =Red *Contact Factory for Custom Color/White COB Combinations	Z =Bronze B =Black C =Custom (Consult Factory)	SF =Single Fuse* DF =Double Fuse* SP =Surge Protection PC3 =Photocell, 120-277VAC BU =Battery Backup, 90 Minutes* BUC =Cold Start Battery Backup, -20°C, 90 Minutes* *120-277V Models Only.

Order Information Example: 9081C3AC32X20UBLZSP

Accessories & Replacement Parts:

Replacement Parts (Order Separately, Field Installed)

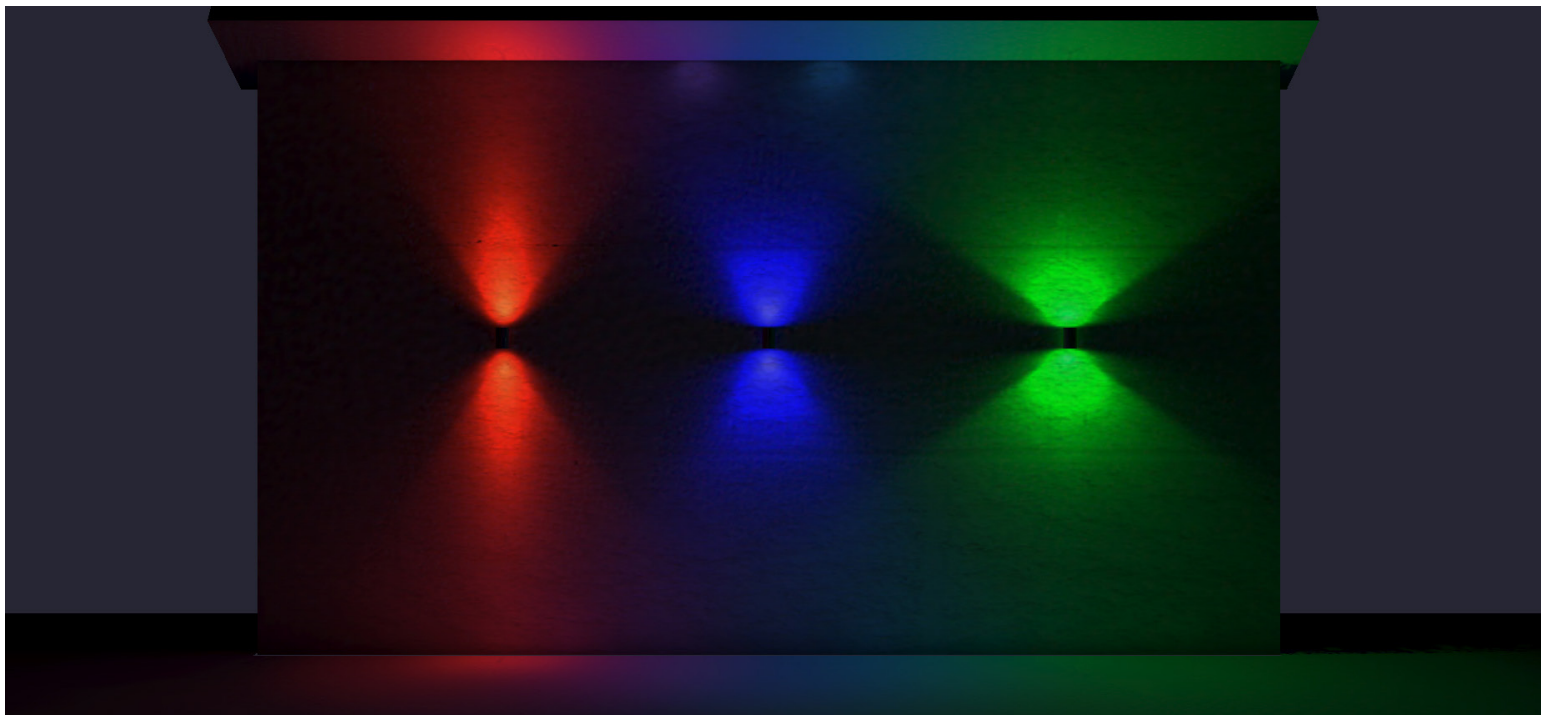
P18103 120-277VAC Photocell

For Replacement Battery Backup, see the InCon LED Battery Backup Specification Sheet.



P18103

Distributions



Narrow/Narrow
"D" Optic

Medium/Medium
"A" Optic

Wide/Wide
"B" Optic

LED COB Watts	Input Watts	Beam	
LED COB 40w	40	A	Medium
		B	Wide
		D	Narrow