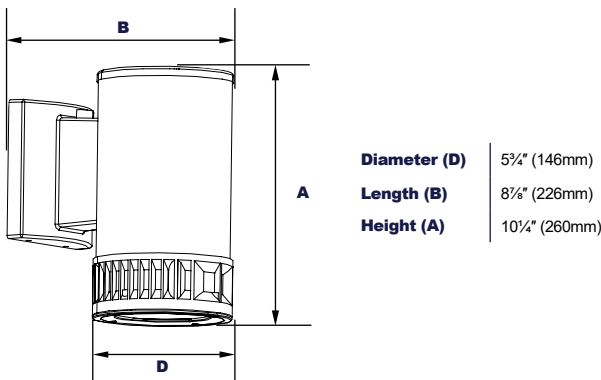




Dimensions



Project Information:

Project Name:	Fixture Type:
Complete Catalog #:	Date:
Comments:	

The Incon 9082AM & 9083AM AmberLED Argile WCTRS Up or Down Architectural Wall Cylinder provides up or down lighting with wide distribution designed for wildlife, dark skies, or security applications requiring monochromatic AMBER light. LEDs operate between 585 and 595nm, greater than 560nm required for wildlife protection. Typical wall mounted lighting applications include retail centers, hotels, multi-unit housing, industrial parks, schools and universities, public transit and airports, office buildings and medical facilities. Mounting heights of up to 12 feet can be used based on light level and uniformity requirements.

Specifications and Features:

Housing:

Extruded Round Aluminum Housing with Built-in Heat Sinks.

Listing & Ratings:

ETL: Listed for Wet Locations, ANSI/UL 1598, 8750; IP66 Sealed LED Compartment.

Finish:

Textured Architectural Bronze or Black Powdercoat Finish Over a Chromate Conversion Coating. Custom Colors Available Upon Request.

Lens:

Tempered Clear Flat Glass Lens

Mounting Options:

Mount Over a 4" Recessed Outlet Box.

AmberLED:

Aluminum Boards

Wattage:

AmberLED Array: 17w, System: 21w

Driver:

Electronic Driver, 120-277V, 50/60Hz; Less Than 20% THD and PF>0.90. Standard Internal Surge Protection 2kV. 0-10V Dimming Standard for a Dimming Range of 100% to 10%; Dimming Source Current is 150 Microamps.

Controls:

Fixtures Ordered with Factory-Installed Photocell or Motion Sensor Controls are Internally Wired for Switching and/or 1-10V Dimming Within the Housing. Remote Direct Wired Interface of 1-10V Dimming is Not Implied and May Not Be Available. Please Consult Factory. Fixtures are Tested with Incon Controls and May Not Function Properly With Controls Supplied By Others. Fixtures are NOT Designed for Use with Line Voltage Dimmers.

Warranty:

5-Year Warranty for -40°C to +50°C Environment.

See Page 3 for Projected Lumen Maintenance Table.

Certification & Listings:





Ordering Guide:

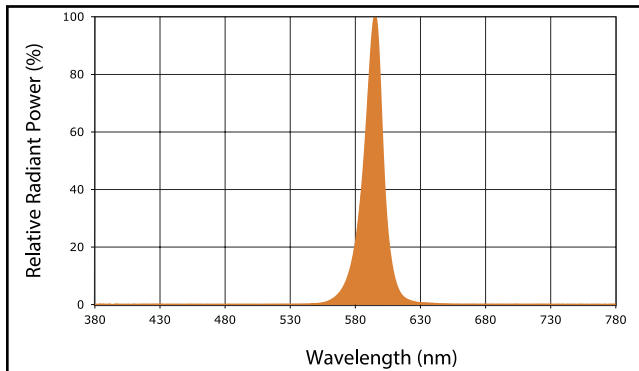
	B	1X17	U	AM		
Model	Optics	Wattage	Driver	CCT	Color	Options
9082AM =AmberLED Argile WCTRS Down Wall Cylinder 9083AM =AmberLED Argile WCTRS Up Wall Cylinder	B =100° Beam	1X17 =17w	U =120-277V	AM =1400K	Z =Bronze B =Black C =Custom (Consult Factory)	SF =Single Fuse* DF =Double Fuse* SP =Surge Protection PC3 =Photocell, 120-277VAC BU =Battery Backup, 90 Minutes* BUC =Cold Start Battery Backup, -20°C, 90 Minutes* *120-277V Models Only.

Order Information Example: 9082AMB1X17UAMZSP

Accessories & Replacement Parts:

Accessories (Order Separately, Field Installed)	Replacement Parts (Order Separately, Field Installed)
FB1V* Visor, Aluminum with Powdercoat Finish	P18103 120-277VAC Photocell
*Specify Color: Z=Bronze, B=Black, C=Custom (Consult Factory)	For Replacement Battery Backup, see the InCon LED Battery Backup Specification Sheet.
 FB1V* *Shown Mounted	 P18103

Spectral Chart



Photometric Performance

			1400 CCT
LED Board Watts	Input Watts	Optics	Lumens
Amber 17w	19	100° Beam	349

Distribution

LED Board Watts	Drive Current (mA)	Input Watts	Beam	
AmberLED 17w	525	21	B	Wide

Projected Lumen Maintenance

Data shown for Amber LEDs TM-21-11	Input Watts	Compare to MH				Calculated LED Life
		Initial	25,000 Hrs	50,000 Hrs	100,000 Hrs	
L70 Lumen Maintenance @ 25°C / 77°F	21	1.00	0.92	0.83	0.66	89,000
L70 Lumen Maintenance @ 50°C / 122°F	21	1.00	0.90	0.81	0.62	78,000
L80 Lumen Maintenance @ 40°C / 104°F	21	1.00	0.93	0.86	0.72	72,000

- NOTES:**
1. Projected per IESNA TM-21-11. Data references the extrapolated performance projections for the base model in a 25°C ambient, based on 10,000 hours of LED testing per IESNA LM-80-08.
 2. Compare to MH box indicates suggested Light Loss Factor (LLF) to be used when comparing to Metal Halide (MH) systems.