

# 9094AM, 9095AM, & 9096AM

Turnin Round Bulkhead



**AmberLED** L70  
25° **187,000 Hours**



The Incon AmberLED Turnin Round Bulkhead is designed to replace HID Lighting systems for wildlife or security applications requiring monochromatic AMBER light. LEDs operate between 585 and 595nm, greater than 560nm required for wildlife protection. Typical applications include office and public buildings, condominiums, schools, shopping malls, and hospitality. Recommended mounting heights are 8 to 20 feet.

## Specifications and Features:

### Housing:

Die Cast Gasketed Aluminum Housing with Integral Heat Sinking and Driver Compartment. Nickel-Plated Stainless Steel Hardware. Photocell Adaptable.

### Listing & Ratings:

ETL: Listed for Wet Locations, ANSI/UL 1598, 8750; IP66 Sealed LED Compartment.

### Finish:

Textured Architectural Bronze Powdercoat Finish Over a Chromate Conversion Coating. Custom Colors Available Upon Request.

### Lens:

SoftLED LumaLens UV-Stabilized Polycarbonate Opal Vandal-Resistant Lens Eliminates LED Hot Spots

### Mounting Options:

Surface Mount

### AmberLED:

Aluminum Boards

### Wattage:

17w Array; 17w, System: 18.7w

### Driver:

Electronic Driver, 120-277V, 50/60Hz; Less Than 20% THD and PF>0.90. Standard Internal Surge Protection 2kV. 0-10V Dimming Standard for a Dimming Range of 100% to 10%; Dimming Source Current is 150 Microamps.

### Controls:

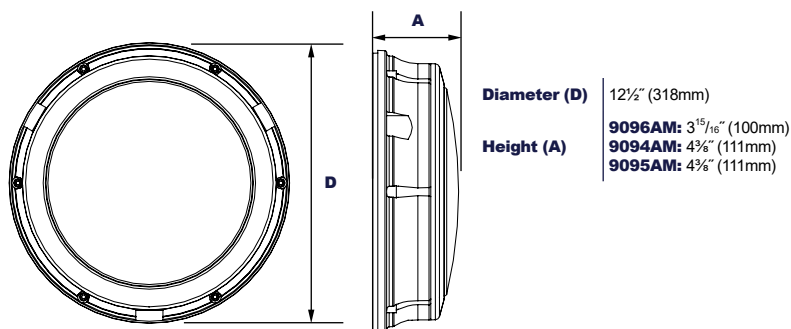
Fixtures Ordered with Factory-Installed Photocell or Motion Sensor Controls are Internally Wired for Switching and/or 1-10V Dimming Within the Housing. Remote Direct Wired Interface of 1-10V Dimming is Not Implied and May Not Be Available. Please Consult Factory. Fixtures are Tested with InCon Controls and May Not Function Properly With Controls Supplied By Others. Fixtures are NOT Designed for Use with Line Voltage Dimmers.

### Warranty:

5-Year Warranty for -40°C to +50°C Environment.

See Page 3 for Projected Lumen Maintenance Table.

## Dimensions



## Project Information:

<b>Project Name:</b>	<b>Fixture Type:</b>
<b>Complete Catalog #:</b>	<b>Date:</b>
<b>Comments:</b>	

## Certification & Listings:



# 9094AM, 9095AM, & 9096AM

Turnin Round Bulkhead



**AmberLED** **L70** **187,000 Hours**  
25°

## Ordering Guide:

	<b>F</b>	<b>1X17</b>	<b>U</b>	<b>AM</b>	<b>L</b>		
<b>Model</b>	<b>Optics</b>	<b>Wattage</b>	<b>Driver</b>	<b>CCT</b>	<b>Lens</b>	<b>Color</b>	<b>Options</b>
<b>9096AM</b> =AmberLED Turnin Round 709 Bulkhead Open Frame <b>9094AM</b> =AmberLED Turnin Round 707 Bulkhead Grid Frame <b>9095AM</b> =AmberLED Turnin Round 708 Bulkhead Half Cutoff	<b>F</b> =Type IV	<b>1X17</b> =17w	<b>U</b> =120-277V	<b>AM</b> =1400K	<b>L</b> =SoftLED LumaLens Opal UV-Stabilized Polycarbonate Array Lens	<b>Z</b> =Bronze <b>W</b> =White <b>C</b> =Custom (Consult Factory)	<b>SF</b> =Single Fuse* <b>DF</b> =Double Fuse* <b>SP</b> =Surge Protector <b>PC3</b> =Photocell, 120-277VAC <b>P12</b> =Pencil Photocell, 277VAC <b>P14</b> =Pencil Photocell, 120-277VAC <b>S2</b> =Microwave Sensor with Dimming for Mounting Heights of 8' to 40'.* <b>S4</b> =Microwave On/Off Motion Sensor for Mounting Heights of 8' to 19'.* <b>BU</b> =Battery Backup, 90 Minutes* <b>BUC</b> =Cold Start Battery Backup, -20°C, 90 Minutes*  *120-277V Models Only

**Order Information Example: 9094AMF1X17UAMLZSF**

## Accessories & Replacement Parts:

### Replacement Parts (Order Separately, Field Installed)

P18103	120-277VAC Photocell
P18112	208-277V 240VAC Pencil Photocell
P18114	120-277V, 50/60Hz Pencil Photocell
P17117	Internal Microwave Sensor with Dimming for Mounting Heights of 8 to 40'. 120-277VAC, 50/60Hz.
P17123	Internally Mounted Microwave On/Off Motion Sensor for Mounting Heights of 8' to 19', 120-277VAC, 50/60Hz

For Replacement Battery Backup, see the InCon LED Battery Backup Specification Sheet.



**P18103**



**P18112**



**P18114**



**P17117**



**P17123**

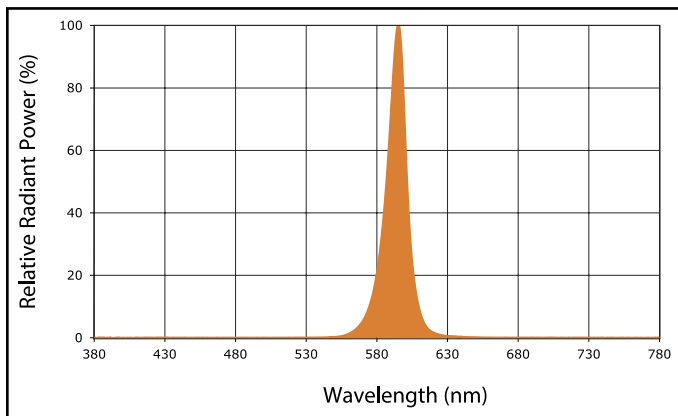
# 9094AM, 9095AM, & 9096AM

Turnin Round Bulkhead



**AmberLED** **L70** **25°** **187,000 Hours**

## Spectral Chart



## Photometric Performance

LED Board Watts	Input Watts	Amber LED				
		Lumens	LPW	B	U	G
AmberLED 17w 9096AM	18.7w	1079	58	0	1	0
AmberLED 17w 9095AM		918	49	0	1	0
AmberLED 17w 9094AM		899	48	0	1	0

## Projected Lumen Maintenance

Data shown for Amber LEDs	Input Watts	Compare to MH				
		Initial	25,000 Hrs	50,000 Hrs	100,000 Hrs	Calculated LED Life
TM-21-11	18.7w	1.00	0.96	0.92	0.84	187,000
L70 Lumen Maintenance @ 25°C / 77°F		1.00	0.96	0.91	0.82	113,000
L70 Lumen Maintenance @ 50°C / 122°F		1.00	0.94	0.89	0.77	88,000

### NOTES:

1. Projected per IESNA TM-21-11. Data references the extrapolated performance projections for the base model in a 25°C ambient, based on 10,000 hours of LED testing per IESNA LM-80-08.
2. Compare to MH box indicates suggested Light Loss Factor (LLF) to be used when comparing to Metal Halide (MH) systems.