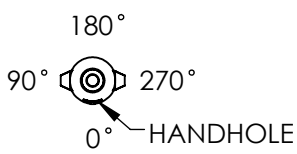


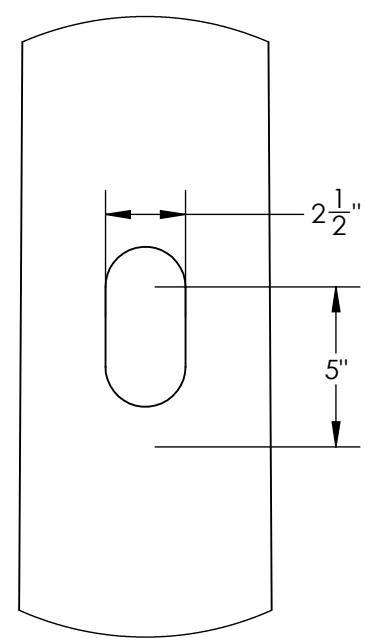
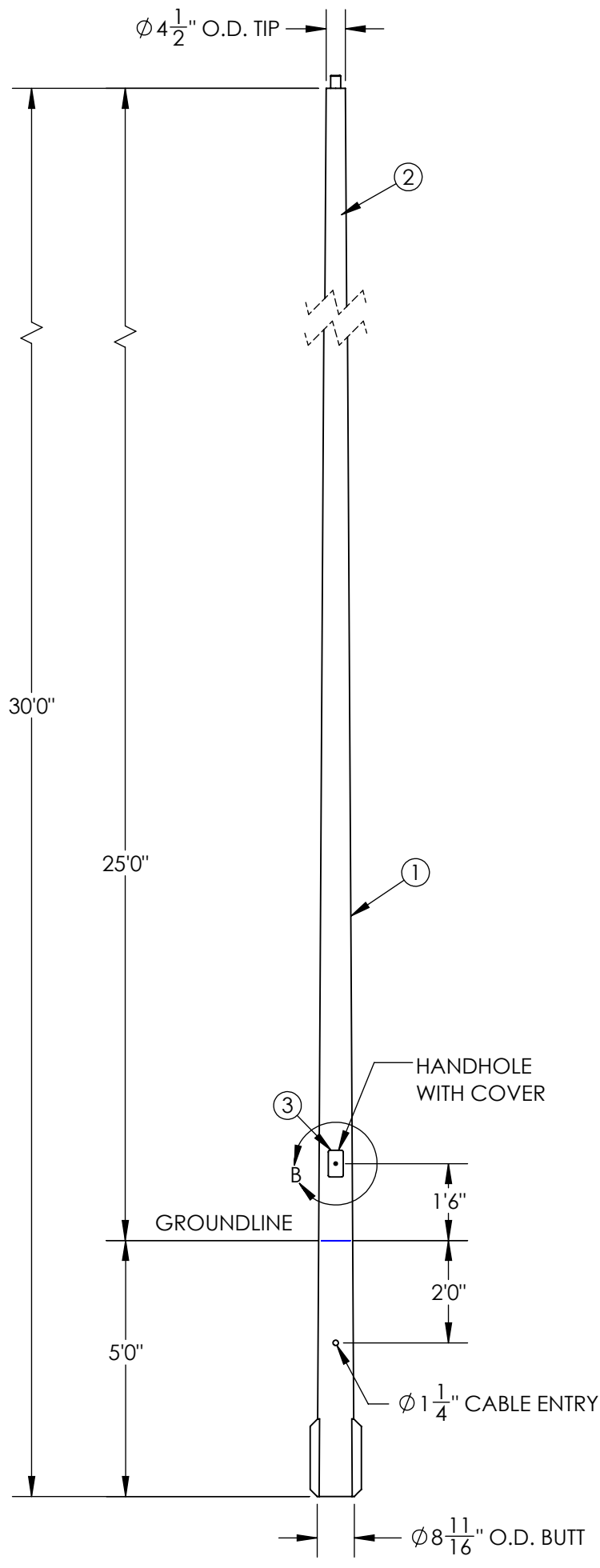
ITEM NO.	PART NUMBER	DESCRIPTION	DESCRIPTION 2	QTY.
1	POLE	-	-	1
2	TEN-0003	TENON 2-3/8"	-	1
3	COV-0001	HAND-HOLE COVER	2.5" x 5"	1

REVISIONS			
ECO	REV.	DESCRIPTION	DATE

FEATURE ORIENTATIONS				
	0°	90°	180°	270°
CABLE ENTRY	X			
HAND HOLE	X			



**NOTE:** ALL HOLES DRILLED ONLY THROUGH THE FACES SPECIFIED BY 'X'



DETAIL B  
HANDHOLE CUTOUT  
COVER REMOVED FOR CLARITY  
SCALE 1 : 6

MAXIMUM EPA PER WINDZONE										
MPH	90	100	110	120	130	140	150	160	170	180
EPA	15.8	11.6	9.1	7.4	6.1	5.9	4.9	4.1	3.5	3.0

- NOTES:
- DIRECT BURIAL CLASS 1 POLE PER ASTM 4923. POLE TOP DEFLECTION SHALL NOT EXCEED 15% OF THE ABOVE HEIGHT AT MAX WIND LOADING AND MAX FIXTURE WEIGHT.
  - DESIGN CRITERIA PER AASHTO LTS-6-2013, ANSI C136.20-2012, AND 2020 FBC 7TH EDITION WHERE APPLICABLE, WITH A MINIMUM SAFETY FACTOR OF 1.5.
  - EMBEDMENT BASED ON MINIMUM DEPTH RECOMMENDED BY ANSI C136.20-2012 SECTION 5.3 AND ASSUMING CLASS 2 SOIL OR BETTER WHEN LOADED AT MAXIMUM EPA.

**N = NATURAL FINISH**  
**S = SMOOTH FINISH**

**D5TI30F00** ↑ **2** ↓ **GXHH**

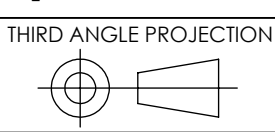
**G = GRAY**  
**A = BLACK**  
**F = BRONZE**  
**W = WHITE**  
**N = GREEN**

---UNLESS OTHERWISE SPECIFIED--- DIMENSION UNITS ARE IN FEET AND INCHES DIMENSIONS SHOWN ARE NOMINAL	STATE:	RELEASED	2022-05-17
	DRAWN:	AJH	2022-05-17
	CHECKED:	DMF	2022-05-17
	APPROVED:	AJH	2022-05-17
	REPLACES:	-	-



**PROPRIETARY AND CONFIDENTIAL**  
THE INFORMATION CONTAINED IN THIS DRAWING IS THE SOLE PROPERTY OF INCON. ANY REPRODUCTION IN PART OR AS A WHOLE WITHOUT THE WRITTEN PERMISSION OF INCON IS PROHIBITED.

CUSTOMER SIGNATURE: \_\_\_\_\_ DATE: \_\_\_\_\_



DESCRIPTION:  
**POLE SYSTEM, DIRECT BURIAL INTERMEDIATE DUTY, 30FT**

5481 Bryant Ave S  
Sanford, FL 32773  
(407) 323-5630  
www.inconlighting.com

SCALE: 1:36

SIZE: DWG. NO. **B IN-D5TI30F00X2GXHH**

POLE COLOR: \_\_\_\_\_ REV: **0.0**