



# SMART PORT PHOTOCELL

## KT-42010

### SMART PORT LED PHOTOCELL DAYLIGHT SENSOR

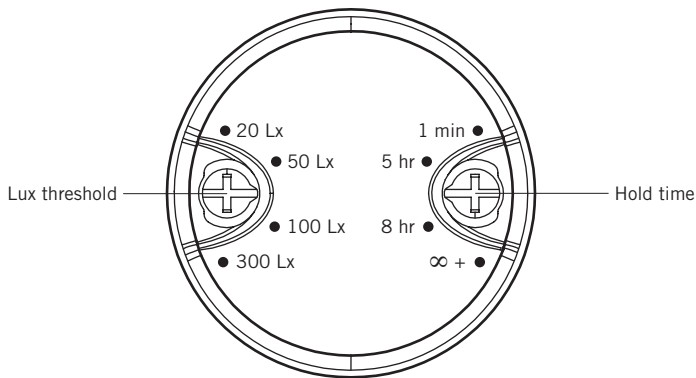
#### PRE-INSTALLATION PROGRAMMING

1. **Read and understand all warnings and notes stated below before proceeding with installation.**

- Operating temperature: -20°C/-4°F to 35°C/95°F
- Suitable for use in enclosed luminaire.
- Do not expose directly to water.
- Use only one module per lamp.

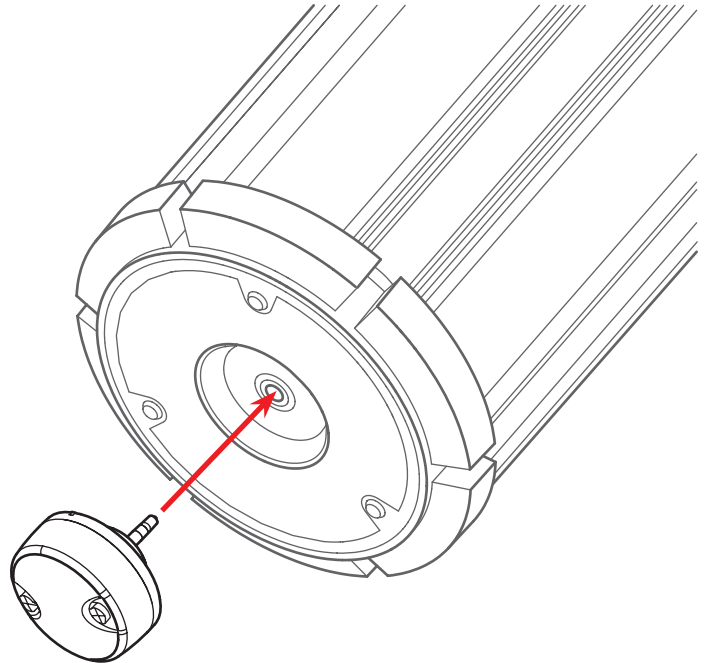
2. Set Photocell Daylight Sensor lux threshold and hold time:

- Lux threshold (Ambient light level above which lamp will turn off output)
  - Set threshold level to 20 lx/50 lx/100 lx/300 lx.
- Hold time (Lamp output will turn off if measured light is above set level if hold time has passed)
  - Set hold time to (1 minute/5 hours/8 hours/unlimited time).



3. Plug the Photocell Daylight Sensor into Smart Port

- Insert 3.5mm AUX into the Smart Port on Keystone's Smart Port LED compatible lamps.



#### INSTALLATION

##### OPERATION

- Plug in and turn on the LED lamp with the installed Photocell Daylight Sensor.
  - If natural light level is below the Lux setting (20 lx, 50 lx, 100 lx, 300 lx), the lamp will turn on and stay on during the hold time (1 minute / 5 hours / 8 hours / unlimited time).
  - If natural light level is above the Lux setting, the lamp will remain off.