



SMART PORT PHOTOCELL

KT-42010

SMART PORT LED PHOTOCELL DAYLIGHT SENSOR

DESCRIPTION

Smart Port LED Photocell Daylight Sensor | 12V Input | 0–10V Output

5YEAR
WARRANTY

INPUT VOLTAGE: 12V ± 2V

OUTPUT VOLTAGE: 0–10V

OPERATING CURRENT: 20mA

WARRANTY: 5 Years



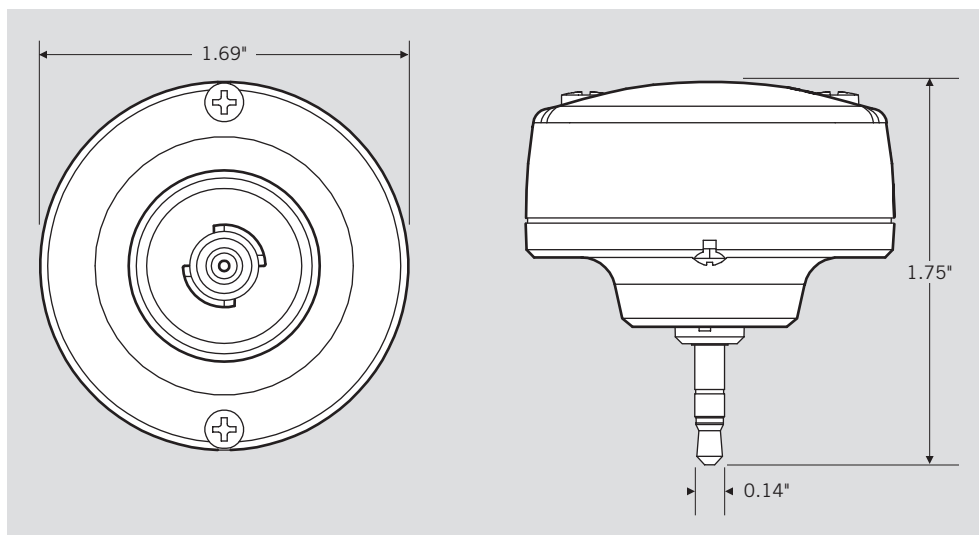
PRODUCT FEATURES

- Smart Port LED Photocell Daylight Sensor
- On/Off with adjustable daylight threshold and timing
- Suitable for use in enclosed luminaire
- 12V input
- 3.5mm standard AUX port connection method
- Operating temperature range: –20°C/–4°F to 35°C/95°F
- IP 20

PERFORMANCE SPECIFICATIONS

Catalog Number	Input Voltage	Output Voltage	Operating Current	Lux Options	Hold Time Options
KT-42010	12V	0–10V	20mA	20 lx 50 lx 100 lx 300 lx	1 min 5 hr 8 hr ∞ (unlimited)

PHYSICAL SPECIFICATIONS



KT-42010

SMART PORT LED PHOTOCELL DAYLIGHT SENSOR

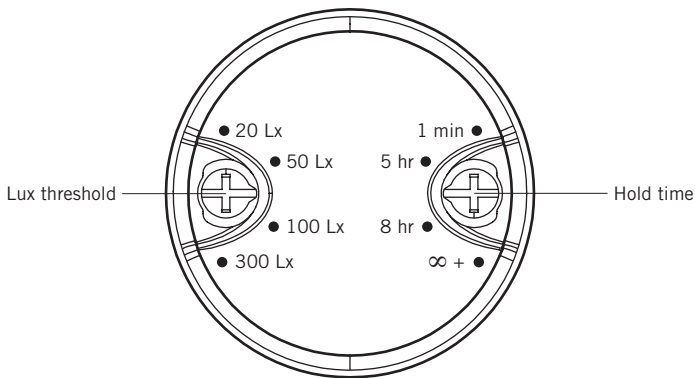
PRE-INSTALLATION PROGRAMMING

1. **Read and understand all warnings and notes stated below before proceeding with installation.**

- Operating temperature: -20°C/-4°F to 35°C/95°F
- Suitable for use in enclosed luminaire.
- Do not expose directly to water.
- Use only one module per lamp.

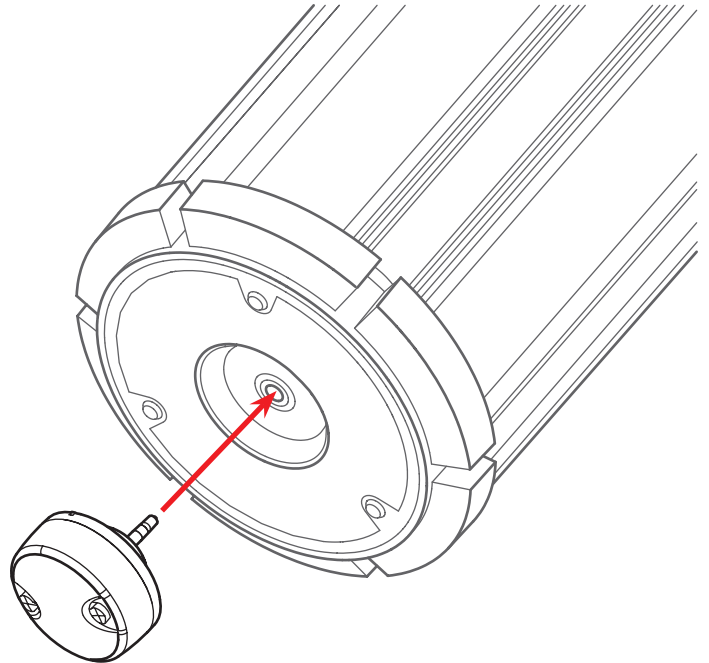
2. Set Photocell Daylight Sensor lux threshold and hold time:

- Lux threshold (Ambient light level above which lamp will turn off output)
 - Set threshold level to 20 lx/50 lx/100 lx/300 lx.
- Hold time (Lamp output will turn off if measured light is above set level if hold time has passed)
 - Set hold time to (1 minute/5 hours/8 hours/unlimited time).



3. Plug the Photocell Daylight Sensor into Smart Port

- Insert 3.5mm AUX into the Smart Port on Keystone's Smart Port LED compatible lamps.



INSTALLATION

OPERATION

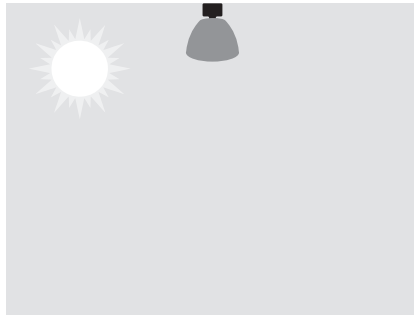
- Plug in and turn on the LED lamp with the installed Photocell Daylight Sensor.
 - If natural light level is below the Lux setting (20 lx, 50 lx, 100 lx, 300 lx), the lamp will turn on and stay on during the hold time (1 minute / 5 hours / 8 hours / unlimited time).
 - If natural light level is above the Lux setting, the lamp will remain off.



SMART PORT PHOTOCELL

KT-42010 SMART PORT LED PHOTOCELL DAYLIGHT SENSOR

PHOTOCELL DAYLIGHT SENSOR ACTIVATION



APPLICATIONS

- Parking lots
- Streets
- Passage ways
- Playing fields
- Outdoor venues

ORDERING INFORMATION

ORDER CODE	PACKAGING STYLE	PACK QTY.	ITEM STATUS
KT-42010	Carton Pack	TBD	Quick Ship

